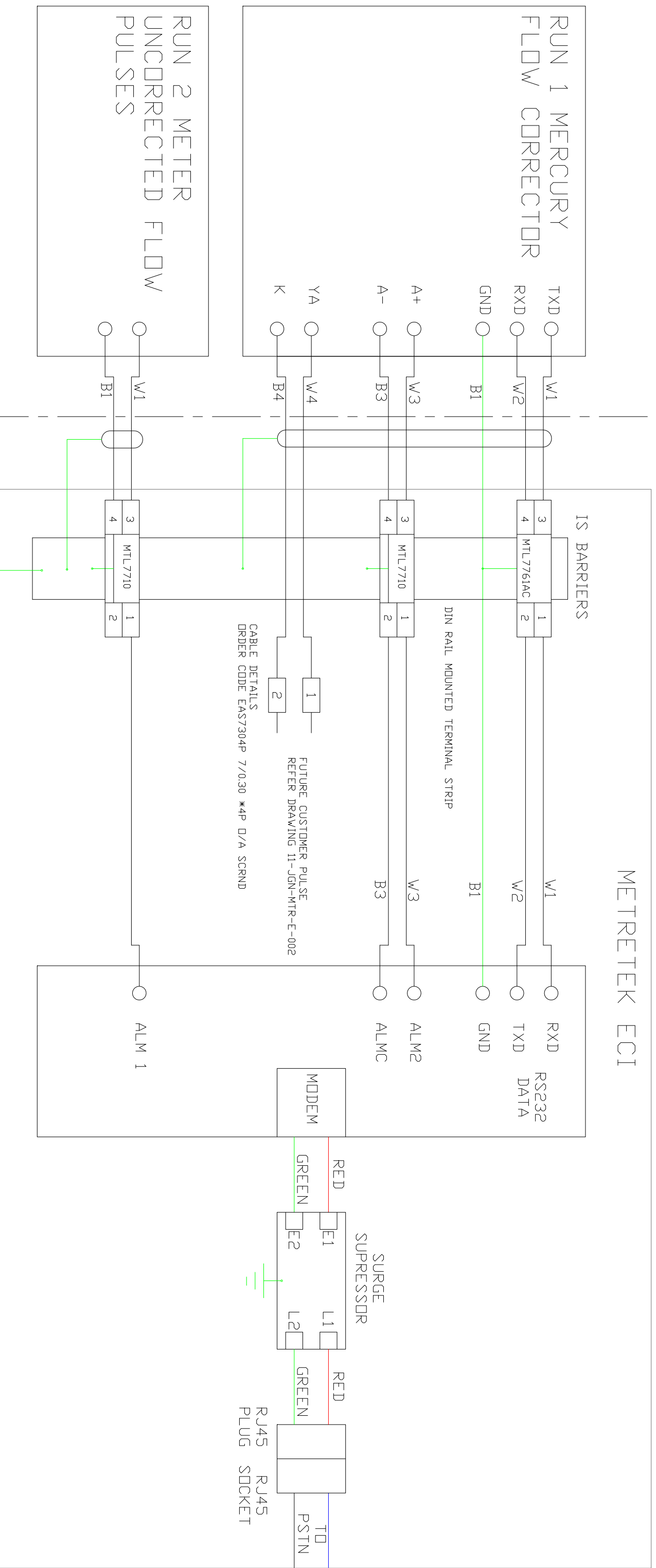


HAZARDOUS AREA

SAFE AREA



This drawing is designed by Jemena Asset Management for the Client and is held by JAM on behalf of the Client. No part of this drawing may be reproduced, stored in a retrieval system in any form or transmitted by any means or used for any other purpose including manufacture without the prior written permission of the company

Jemena Asset Management Pty Ltd ABN 53 086 013 461

COMP REF:G\VAE_CAD\JOBS\STANDARD\METERING

0	APPROVED FOR CONSTRUCTION	TDGG	01.09.11	IA	CG
A	FOR REVIEW	CG	28/03/11	IA	CG
REV	PARTICULARS	CHKD/ENG	DATE	DRAWN	APPR

PROJECT No.	APPROVED	ENGINEER	CHECKED	DRAWN	DATE	SCALE
CG	IA	IA	TDGG	IA	29.08.11	NTS
CUSTOMER INTERFACE SETS SINGLE CLIENT INTERFACE CORRECTOR TO CUSTOMER MODIFICATION						

DRAWING No. 11-JGN-MTR-DET-E-004

REV. 0

NOTES:
 4PR IS TO REPLACE EXISTING 3PR
 WHEN CUSTOMER PULSE IS REQUIRED
 ALL NEW INSTALLATIONS TO USE 4 PR
 CABLE. IF CUSTOMER PULSE NOT
 REQUIRED TERMINATE CABLE ON DIN
 RAIL TERMINAL STRIP.