



Jemena Electricity Networks (Vic) Ltd

Register of completed embedded generation

30 kVA - 5000 kVA



Page intentionally blank

1. Introduction

This register of completed non-registered embedded generation projects (between 30 kVA – 5000 kVA) within the Jemena Electricity Network is published in accordance with the requirements of the National Electricity Rules (NER) clause 5A.D.1A. An updated register will be published annually by 31st December.

1.1 NER Information Requirements

As per the NER requirements in clause 5A.D.1A (b), the following information must be published:

- Technology of generating unit and its make and model
- Maximum power generation capacity of all embedded generators comprised in the relevant generating system
- Contribution to fault levels
- The size and rating of the relevant transformer
- A single line diagram of the connection arrangement
- Protection systems and communication systems
- Voltage control, power factor control and/or reactive power capability (where relevant)
- Details specific to the location of a facility connected to the network that are relevant

The register update is aligned with the DAPR review period in accordance with NER clause 5A.D.1.A(d).

2. Register

Table 2-1: Register of completed embedded generation projects (30 kVA – 5000 kVA)

Connection Date	Location	Voltage at connection point	Generator Technology	Generator Make And Model	Generator capacity (kVA)	Generator fault contribution (kA) [Note 1]	Transformer Rating (kVA)	Single Line Diagram	Protection and communication systems	Voltage control, power factor control and/or reactive power capability (where relevant)	Connection specific details
Jan-16	CAMPBELLFIELD	400 V	Solar photovoltaic	FRONIUS ECO 25.0-3.S	100	0.22	300	Figure 2-1	Table 2-2	Must be within Distribution Code limits	Export to grid
Jan-16	FOOTSCRAY	400 V	Solar photovoltaic	SMA SUNNY TRI POWER STP-15000TL	90	0.19	500	Figure 2-1	Table 2-2	Must be within Distribution Code limits	Export to grid
Feb-16	CAMPBELLFIELD	400 V	Solar photovoltaic	SOLAR EDGE SE25K	100	0.22	315	Figure 2-1	Table 2-2	Must be within Distribution Code limits	Export to grid
Feb-16	TULLAMARINE	22 kV	Solar photovoltaic	FRONIUS SYMO 20.0-3-M	40	0.09	NA	Figure 2-1	Table 2-2	Must be within Distribution Code limits	Export to grid
Apr-16	HADFIELD	400 V	Solar photovoltaic	FRONIUS SYMO 20.0-3-M	60	0.13	200	Figure 2-1	Table 2-2	Must be within Distribution Code limits	Export to grid
May-16	TULLAMARINE	400 V	Solar photovoltaic	FRONIUS SYMO 20.0-3-M FRONIUS ECO 25.0-3.S	70	0.15	500	Figure 2-1	Table 2-2	Must be within Distribution Code limits	Export to grid
May-16	TULLAMARINE	400 V	Solar photovoltaic	FRONIUS AGILO 100.0-3	100	0.22	1500	Figure 2-1	Table 2-2	Must be within Distribution Code limits	Export to grid
Jun-16	CAMPBELLFIELD	400 V	Solar photovoltaic	FRONIUS SYMO 20.0-3-M FRONIUS SYMO 17.5-M	55	0.12	500	Figure 2-1	Table 2-2	Must be within Distribution Code limits	Export to grid
Jul-16	FOOTSCRAY	400 V	Solar photovoltaic	SMA TRI POWER 2000TL-D	40	0.09	500	Figure 2-1	Table 2-2	Must be within Distribution Code limits	Export to grid
Jul-16	NIDDRIE	400 V	Solar photovoltaic	ABB TRIO-27.6 ABB TRIO-20.0	95.2	0.21	1500	Figure 2-1	Table 2-2	Must be within Distribution Code limits	Export to grid
Aug-16	CRAIGIEBURN	400 V	Solar photovoltaic	SMA STP 25000TL SMA STP 20000TL	45	0.1	500	Figure 2-1	Table 2-2	Must be within Distribution Code limits	Export to grid
Aug-16	CAMPBELLFIELD	400 V	Solar photovoltaic	FRONIUS ECO 25.0-3-S FRONIUS ECO 20.0-3-S	90	0.19	500	Figure 2-1	Table 2-2	Must be within Distribution Code limits	Export to grid
Oct-16	PASCOE VALE	400 V	Solar photovoltaic	FRONIUS SYMO 20.0-3-M	40	0.09	500	Figure 2-1	Table 2-2	Must be within Distribution Code limits	Export to grid

Oct-16	ABERFELDIE	400 V	Solar photovoltaic	ABB TRIO-27.6	71.2	0.15	300	Figure 2-1	Table 2-2	Must be within Distribution Code limits	Export to grid
Dec-16	RESERVOIR	400 V	Solar photovoltaic	SCHNEIDER CL25000E	50	0.11	500	Figure 2-1	Table 2-2	Must be within Distribution Code limits	Export to grid
Jan-17	CAMPBELLFIELD	400 V	Solar photovoltaic	FRONIUS SYMO 10.0-3-M FRONIUS ECO 27.0-3.S	91	0.2	500	Figure 2-1	Table 2-2	Must be within Distribution Code limits	Export to grid
Jan-17	CRAIGIEBURN	400 V	Solar photovoltaic	FRONIUS ECO 27.0-3.S	54	0.12	500	Figure 2-1	Table 2-2	Must be within Distribution Code limits	Export to grid
Feb-17	IVANHOE	400 V	Solar photovoltaic	ENPHASE MICROINVERTERS M250-72-2LN-S2	72.25	0.16	1500	Figure 2-1	Table 2-2	Must be within Distribution Code limits	Export to grid
Feb-17	TAYLORS LAKES	400 V	Solar photovoltaic	SMA STP 25000TL	75	0.16	1500	Figure 2-1	Table 2-2	Must be within Distribution Code limits	Export to grid
Feb-17	IVANHOE	400 V	Solar photovoltaic	SMA STP 25000TL	75	0.16	500	Figure 2-1	Table 2-2	Must be within Distribution Code limits	Export to grid
Feb-17	TULLAMARINE	400 V	Solar photovoltaic	FRONIUS ECO 27.0-3.S	90	0.19	500	Figure 2-1	Table 2-2	Must be within Distribution Code limits	Export to grid
Mar-17	MOONEE PONDS	400 V	Solar photovoltaic	FRONIUS SYMO 10.0-3-M FRONIUS SYMO 15.0-3-M FRONIUS SYMO 6.0-3-M	71.5	0.15	300	Figure 2-1	Table 2-2	Must be within Distribution Code limits	Export to grid
Mar-17	SUNBURY	400 V	Solar photovoltaic	GOODWE GW25K-DT	100	0.22	300	Figure 2-1	Table 2-2	Must be within Distribution Code limits	Export to grid
Mar-17	HEIDELBERG WEST	400 V	Solar photovoltaic	FRONIUS SYMO 25.0-3-S	100	0.22	1000	Figure 2-1	Table 2-2	Must be within Distribution Code limits	Export to grid
Mar-17	CAMPBELLFIELD	400 V	Solar photovoltaic	FRONIUS SYMO 20.0-3-M	80	0.17	500	Figure 2-1	Table 2-2	Must be within Distribution Code limits	Export to grid
Apr-17	FAWKNER	400 V	Solar photovoltaic	FRONIUS ECO 25.0-3-S	75	0.16	500	Figure 2-1	Table 2-2	Must be within Distribution Code limits	Export to grid
Apr-17	HEIDELBERG	400 V	Solar photovoltaic	SMA STP 25000TL	100	0.22	1000	Figure 2-1	Table 2-2	Must be within Distribution Code limits	Export to grid
Jun-17	ASCOT VALE	400 V	Solar photovoltaic	ABB TRIO-200-TL-OUTD-400	60	0.13	500	Figure 2-1	Table 2-2	Must be within Distribution Code limits	Export to grid

Jun-17	FLEMINGTON	400 V	Solar photovoltaic	ENPHASE MICROINVERTERS S270	36.18	0.08	300	Figure 2-1	Table 2-2	Must be within Distribution Code limits	Export to grid
Jun-17	KENSINGTON	400 V	Solar photovoltaic	ENPHASE MICROINVERTERS S270	92.88	0.2	300	Figure 2-1	Table 2-2	Must be within Distribution Code limits	Export to grid
Jun-17	BRAYBROOK	400 V	Solar photovoltaic	ENPHASE MICROINVERTERS S270	65.07	0.14	500	Figure 2-1	Table 2-2	Must be within Distribution Code limits	Export to grid
Jun-17	BRAYBROOK	400 V	Solar photovoltaic	SSE SPS25KTL-B	50	0.11	500	Figure 2-1	Table 2-2	Must be within Distribution Code limits	Export to grid
Jun-17	WILLIAMSTOWN	400 V	Solar photovoltaic	SOLAREEDGE 27.6K-AUS	55.2	0.12	1000	Figure 2-1	Table 2-2	Must be within Distribution Code limits	Export to grid
Jul-17	MARIBYRNONG	400 V	Solar photovoltaic	SMA STP 20000TL-30	40	0.09	1500	Figure 2-1	Table 2-2	Must be within Distribution Code limits	Export to grid
Jul-17	CAMPBELLFIELD	400 V	Solar photovoltaic	FRONIUS SYMO-20.0.0-3-M	40	0.09	300	Figure 2-1	Table 2-2	Must be within Distribution Code limits	Export to grid
Jul-17	CAMPBELLFIELD	400 V	Solar photovoltaic	FRONIUS SYMO 20.0-3-M	80	0.17	500	Figure 2-1	Table 2-2	Must be within Distribution Code limits	Export to grid
Aug-17	CAMPBELLFIELD	400 V	Solar photovoltaic	ABB TRIO-27.6 ABB TRIO-20.0	75.2	0.16	300	Figure 2-1	Table 2-2	Must be within Distribution Code limits	Export to grid
Aug-17	CAMPBELLFIELD	400 V	Solar photovoltaic	SSE SPS25KTL-B SSE SPS30KTL	300	0.65	1500	Figure 2-1	Table 2-2	Must be within Distribution Code limits	Export to grid
Aug-17	CAMPBELLFIELD	400 V	Solar photovoltaic	FRONIUS ECO 25.0-3-S	100	0.22	300	Figure 2-1	Table 2-2	Must be within Distribution Code limits	Export to grid
Aug-17	CAMPBELLFIELD	400 V	Solar photovoltaic	FRONIUS ECO 25.0-3-S	100	0.22	300	Figure 2-1	Table 2-2	Must be within Distribution Code limits	Export to grid
Sep-17	RESERVOIR	400 V	Solar photovoltaic	FRONIUS SYMO 20.0-3-M FRONIUS ECO 27.0-3.S	47	0.1	300	Figure 2-1	Table 2-2	Must be within Distribution Code limits	Export to grid
Sep-17	TULLAMARINE	400 V	Solar photovoltaic	FRONIUS ECO 25.0-3-S	100	0.22	750	Figure 2-1	Table 2-2	Must be within Distribution Code limits	Export to grid
Sep-17	TULLAMARINE	400 V	Solar photovoltaic	FRONIUS ECO 25.0-3-S	100	0.22	750	Figure 2-1	Table 2-2	Must be within Distribution Code limits	Export to grid
Jan-18	PRESTON	400 V	Solar photovoltaic	FRONIUS ECO 25KW	75	0.16	500	Figure 2-1	Table 2-2	Must be within Distribution Code limits	Export to grid
Jan-18	COBURG NORTH	400 V	Solar photovoltaic	FRONIUS ECO 25.0-3-S	416	0.9	1000	Figure 2-1	Table 2-2	Must be within Distribution Code limits	Export to grid

Feb-18	YARRAVILLE	400 V	Solar photovoltaic	SOLAR EDGE SE 25K	100	0.22	500	Figure 2-1	Table 2-2	Must be within Distribution Code limits	Export to grid
Mar-18	HEIDELBERG WEST	400 V	Solar photovoltaic	FRONIUS SYMO 20.0-3-M FRONIUS SYMO 15.0-3-S	155	0.34	500	Figure 2-1	Table 2-2	Must be within Distribution Code limits	Export to grid
May-18	SOMERTON	400 V	Solar photovoltaic	FRONIUS SYMO 20.0-3-M	80	0.17	500	Figure 2-1	Table 2-2	Must be within Distribution Code limits	Export to grid
Jun-18	CAMPBELLFIELD	400 V	Solar photovoltaic	SOLAREEDGE SE27.6K ABB TRIO-27.6-TL-OUTD	248.4	0.54	2000	Figure 2-1	Table 2-2	Must be within Distribution Code limits	Export to grid
Jul-18	TULLAMARINE	400 V	Solar photovoltaic	FRONIUS ECO27-3-S	54	0.12	1000	Figure 2-1	Table 2-2	Must be within Distribution Code limits	Export to grid
Jul-18	TULLAMARINE	400 V	Solar photovoltaic	FRONIUS AGILO 100.0-3	100	0.22	1500	Figure 2-1	Table 2-2	Must be within Distribution Code limits	Export to grid
Jul-18	TULLAMARINE	400 V	Solar photovoltaic	FRONIUS SYMO 20.0-3-M	80	0.17	500	Figure 2-1	Table 2-2	Must be within Distribution Code limits	Export to grid
Jul-18	WEST FOOTSCRAY	400 V	Solar photovoltaic	ENPHASE S230 MICROINVERTERS	53.8	0.12	2000	Figure 2-1	Table 2-2	Must be within Distribution Code limits	Export to grid
Aug-18	WEST HEIDELBERG	400 V	Solar photovoltaic	FRONIUS SYMO 20.0-3-M	60	0.13	500	Figure 2-1	Table 2-2	Must be within Distribution Code limits	Export to grid
Aug-18	WEST HEIDELBERG	400 V	Solar photovoltaic	FRONIUS SYMO 20.0-3-M	60	0.13	500	Figure 2-1	Table 2-2	Must be within Distribution Code limits	Export to grid
Aug-18	KEILOR PARK	400 V	Solar photovoltaic	SUNNY TRIPOWER STP60-10	420	0.91	1000	Figure 2-1	Table 2-2	Must be within Distribution Code limits	Export to grid
Aug-18	PASCOE VALE	400 V	Solar photovoltaic	FRONIUS SYMO 20.0-3-M	40	0.09	1000	Figure 2-1	Table 2-2	Must be within Distribution Code limits	Export to grid
Nov-18	YARRAVILLE	400 V	Solar photovoltaic	SMA STP 25000TL	100	0.22	750	Figure 2-1	Table 2-2	Must be within Distribution Code limits	Export to grid
Nov-18	BROADMEADOWS	400 V	Solar photovoltaic	SMA STP20000TL	80	0.17	500	Figure 2-1	Table 2-2	Must be within Distribution Code limits	Export to grid
Nov-18	SUNBURY	400 V	Solar photovoltaic	SOLAR EDGE SE27.6K SOLAR EDGE SE17K	89.2	0.19	200	Figure 2-1	Table 2-2	Must be within Distribution Code limits	Export to grid

Nov-18	TULLAMARINE	400 V	Solar photovoltaic	FRONIUS SYMO 20.0-3	80	0.17	500	Figure 2-1	Table 2-2	Must be within Distribution Code limits	Export to grid
Nov-18	CAMPBELLFIELD	400 V	Solar photovoltaic	GOODWE – GW20K-DT	100	0.22	1000	Figure 2-1	Table 2-2	Must be within Distribution Code limits	Export to grid
Nov-18	CAMPBELLFIELD	400 V	Solar photovoltaic	GOODWE – GW20K-DT	80	0.17	1000	Figure 2-1	Table 2-2	Must be within Distribution Code limits	Export to grid
Dec-18	MARIBYRNONG	400 V	Solar photovoltaic	FRONIUS SYMO 20.0-3-M	80	0.17	2000	Figure 2-1	Table 2-2	Must be within Distribution Code limits	Export to grid
Jan-19	HEIDELBERG HEIGHTS	400 V	Solar photovoltaic	FRONIUS ECO 27.0-3-3 FRONIUS SYMO 5.0	86	0.186	500	Figure 2-1	Table 2-2	Must be within Distribution Code limits	Export to grid
Jan-19	KEILOR PARK	400 V	Solar photovoltaic	FRONIUS ECO 25.0-3-S FRONIUS SYMO 15.0-3-M	40	0.087	500	Figure 2-1	Table 2-2	Must be within Distribution Code limits	Export to grid
Jan-19	SOMERTON	400 V	Solar photovoltaic	FRONIUS ECO 25.0-3-S	100	0.217	300	Figure 2-1	Table 2-2	Must be within Distribution Code limits	Export to grid
Feb-19	BROADMEADOWS	400 V	Solar photovoltaic	FORNIOUS SYMO 20.0-3.0-M	80	0.173	1000	Figure 2-1	Table 2-2	Must be within Distribution Code limits	Export to grid
Feb-19	ROXBURGH PARK	400 V	Solar photovoltaic	SOLAREEDGE SE82.8K SOLAREEDGE SE27.6K	496.2	1.074	1500	Figure 2-1	Table 2-2	Must be within Distribution Code limits	Export to grid
Feb-19	ROXBURGH PARK	400 V	Solar photovoltaic	SOLAREEDGE SE82.8K SOLAREEDGE SE50.0K	629.6	1.363	2000	Figure 2-1	Table 2-2	Must be within Distribution Code limits	Export to grid
Feb-19	SUNBURY	400 V	Solar photovoltaic	ABB PVS-100-TL	100	0.217	1000	Figure 2-1	Table 2-2	Must be within Distribution Code limits	Export to grid
Feb-19	COBURG	400 V	Solar photovoltaic	FRONIUS ECO 25.0 3S FRONIUS SYMO 20.0 3M	170	0.368	500	Figure 2-1	Table 2-2	Must be within Distribution Code limits	Export to grid
Mar-19	KEILOR PARK	400 V	Solar photovoltaic	FRONIUS ECO 27.0-3-3 FRONIUS SYMO 10.0-3-M	64	0.139	1000	Figure 2-1	Table 2-2	Must be within Distribution Code limits	Export to grid
Mar-19	SPOTSWOOD	400 V	Solar photovoltaic	FRONIUS ECO 25.0 3S FRONIUS SYMO 20.0 3M	170	0.368	1000	Figure 2-1	Table 2-2	Must be within Distribution Code limits	Export to grid
Mar-19	SPOTSWOOD	400 V	Solar photovoltaic	FRONIUS ECO 25.0 3S	200	0.433	1000	Figure 2-1	Table 2-2	Must be within Distribution Code limits	Export to grid
Mar-19	BROOKLYN	400 V	Solar photovoltaic	SMA SUNNY TRIPOWER CORE1 STP50-40 50 KW	100	0.217	500	Figure 2-1	Table 2-2	Must be within Distribution Code limits	Export to grid
Mar-19	YARRAVILLE	400 V	Solar photovoltaic	HUAWEI SUN2000-33KTL	99	0.214	750	Figure 2-1	Table 2-2	Must be within Distribution Code limits	Export to grid

Apr-19	SOMERTON	400 V	Solar photovoltaic	SOLAREEDGE 27.6KW	82.8	0.179	1000	Figure 2-1	Table 2-2	Must be within Distribution Code limits	Export to grid
Apr-19	BROADMEADOWS	400 V	Solar photovoltaic	SMA STP 25000TL	100	0.217	1000	Figure 2-1	Table 2-2	Must be within Distribution Code limits	Export to grid 250 kVA export limit
May-19	KEILOR PARK	400 V	Solar photovoltaic	FRONIUS ECO 27.0-3-3 & FRONIUS SYMO 10.0-3-M	64	0.139	1000	Figure 2-1	Table 2-2	Must be within Distribution Code limits	Export to grid
May-19	COOLAROO	400 V	Solar photovoltaic	HUAWEI SUN2000-36KTL HUAWEI SUN2000-17KTL	58.7	0.127	500	Figure 2-1	Table 2-2	Must be within Distribution Code limits	Export to grid
May-19	HEIDELBERG WEST	400 V	Solar photovoltaic	ABB PVS-100-TL	100	0.217	300	Figure 2-1	Table 2-2	Must be within Distribution Code limits	Export to grid
May-19	YARRAVILLE	400 V	Solar photovoltaic	SMA STP 25000TL	100	0.217	500	Figure 2-1	Table 2-2	Must be within Distribution Code limits	Export to grid
May-19	IVANHOE	400 V	Solar photovoltaic	FRONIUS ECO 25.0-3-S FRONIUS SYMO 10.0-3M	85	0.184	500	Figure 2-1	Table 2-2	Must be within Distribution Code limits	Export to grid
May-19	IVANHOE	400 V	Solar photovoltaic	FRONIUS ECO 25.0-3-S FRONIUS SYMO 20.0-3M FRONIUS SYMO 15.0-3M	85	0.184	500	Figure 2-1	Table 2-2	Must be within Distribution Code limits	Export to grid
May-19	BROADMEADOWS	400 V	Solar photovoltaic	SOLAREEDGE SE82.8K	579.6	1.255	1500	Figure 2-1	Table 2-2	Must be within Distribution Code limits	Export to grid
May-19	CAMPBELLFIELD	400 V	Solar photovoltaic	FRONIUS SYMO 20.0-3-M & FRONIUS ECO 25.0-3-S	85	0.184	500	Figure 2-1	Table 2-2	Must be within Distribution Code limits	Export to grid
May-19	SUNBURY	400 V	Solar photovoltaic	FRONIUS SYMO 20.0-3-M	40	0.087	500	Figure 2-1	Table 2-2	Must be within Distribution Code limits	Export to grid
May-19	BROADMEADOWS	400 V	Solar photovoltaic	SOLAREEDGE SE82.8K	414	0.896	1000	Figure 2-1	Table 2-2	Must be within Distribution Code limits	Export to grid
Jun-19	BROOKLYN	400 V	Solar photovoltaic	GW50K-MT GW20K-DT	100	0.217	500	Figure 2-1	Table 2-2	Must be within Distribution Code limits	Export to grid
Jun-19	TULLAMARINE	400 V	Solar photovoltaic	FRONIUS SYMO 20.0-3-M	80	0.173	500	Figure 2-1	Table 2-2	Must be within Distribution Code limits	Export to grid
Jun-19	RESERVOIR	400 V	Solar photovoltaic	FRONIUS SYMO 20.0-3-M	77.5	0.168	300	Figure 2-1	Table 2-2	Must be within Distribution Code limits	Export to grid

				FRONIUS SYMO 17.5-3-M							
Jun-19	COOLAROO	400 V	Solar photovoltaic	SOLAR EDGE SE27.6K	82.8	0.179	500	Figure 2-1	Table 2-2	Must be within Distribution Code limits	Export to grid 250 kVA export limit
Jun-19	RESERVOIR	400 V	Solar photovoltaic	FRONIUS ECO 25.0-3-M	100	0.217	500	Figure 2-1	Table 2-2	Must be within Distribution Code limits	Export to grid
Jun-19	CAMPBELLFIELD	400 V	Solar photovoltaic	FRONIUS SYMO 20.0-3-M	60	0.130	1500	Figure 2-1	Table 2-2	Must be within Distribution Code limits	Export to grid
Jun-19	COBURG NORTH	400 V	Solar photovoltaic	FRONIUS ECO 27.0.3-S FRONIUS SYMO 15.0-3-M	96	0.208	500	Figure 2-1	Table 2-2	Must be within Distribution Code limits	Export to grid
Jun-19	RESERVOIR	400 V	Solar photovoltaic	HUAWEI SUN2000-50KTL-M0	100	0.217	500	Figure 2-1	Table 2-2	Must be within Distribution Code limits	Export to grid
Jul-19	CAMPBELLFIELD	400 V	Solar photovoltaic	GW50K-MT	550	1.191	2000	Figure 2-1	Table 2-2	Must be within Distribution Code limits	Export to grid
Jul-19	MOONEE PONDS	400 V	Solar photovoltaic	SMA STP 25000TL SMA STP 15000TL	90	0.195	1500	Figure 2-1	Table 2-2	Must be within Distribution Code limits	Export to grid
Jul-19	HEIDELBERG WEST	400 V	Solar photovoltaic	SOLAREEDGE SE82.8K	331.2	0.717	1000	Figure 2-1	Table 2-2	Must be within Distribution Code limits	Export to grid
Jul-19	BROADMEADOWS	400 V	Solar photovoltaic	SOLAREEDGE SE82.8K	662.4	1.434	1000	Figure 2-1	Table 2-2	Must be within Distribution Code limits	Export to grid
Jul-19	WEST FOOTSCRAY	400 V	Solar photovoltaic	FRONIUS ECO 27.0-3-S FRONIUS SYMO 8.2-3-M	62.2	0.135	200	Figure 2-1	Table 2-2	Must be within Distribution Code limits	Export to grid
Jul-19	BROADMEADOWS	400 V	Solar photovoltaic	FRONIUS SYMO 20.0-3-M	80	0.173	1000	Figure 2-1	Table 2-2	Must be within Distribution Code limits	Export to grid
Jul-19	SOMERTON	400 V	Solar photovoltaic	FRONIUS ECO 25.0 FRONIUS SYMO 12.5	62.5	0.135	500	Figure 2-1	Table 2-2	Must be within Distribution Code limits	Export to grid
Jul-19	MARIBYRNONG	400 V	Solar photovoltaic	GOODWE GW20K-DT	60	0.130	315	Figure 2-1	Table 2-2	Must be within Distribution Code limits	Export to grid
Jul-19	MICKLEHAM	400 V	Solar photovoltaic	STP5000TL-20 STP10000TL-20 STP15000TL-30 SONNEN ECO 9.43	30	0.065	100	Figure 2-1	Table 2-2	Must be within Distribution Code limits	Export to grid 160 kVA export limit
Aug-19	HEIDELBERG WEST	400 V	Solar photovoltaic	FRONIUS SYMO 27.0-3-S	81	0.175	500	Figure 2-1	Table 2-2	Must be within Distribution Code limits	Export to grid
Aug-19	BROADMEADOWS	400 V	Solar photovoltaic	FRONIUS SYMO 20.0-3-M	60	0.130	500	Figure 2-1	Table 2-2	Must be within Distribution Code limits	Export to grid

Aug-19	SUNBURY SOUTH	400 V	Solar photovoltaic	STP-25000TL-30 STP-15000TL-30	65	0.141	1500	Figure 2-1	Table 2-2	Must be within Distribution Code limits	Export to grid
Aug-19	SUNBURY SOUTH	400 V	Solar photovoltaic	STP-25000TL-30	25	0.054	1500	Figure 2-1	Table 2-2	Must be within Distribution Code limits	Export to grid
Aug-19	ESSENDON WEST	400 V	Solar photovoltaic	FRONIUS ECO 25.0-3-S FRONIUS SYMO 20.0-3-M	65	0.141	1000	Figure 2-1	Table 2-2	Must be within Distribution Code limits	Export to grid 40 kVA export limit
Aug-19	TULLAMARINE	400 V	Solar photovoltaic	FRONIUS ECO 27.0-3-S	54	0.117	500	Figure 2-1	Table 2-2	Must be within Distribution Code limits	Export to grid
Aug-19	HILLSIDE	400 V	Solar photovoltaic	SOLAREEDGE SE25K	100	0.217	500	Figure 2-1	Table 2-2	Must be within Distribution Code limits	Export to grid
Aug-19	CAMPBELLFIELD	400 V	Solar photovoltaic	GW50K-MT	250	0.541	500	Figure 2-1	Table 2-2	Must be within Distribution Code limits	Export to grid
Aug-19	BROADMEADOWS	400 V	Solar photovoltaic	FRONIUS ECO 27.0-3-S	81	0.175	1500	Figure 2-1	Table 2-2	Must be within Distribution Code limits	Export to grid
Sep-19	MARIBYRNONG	400 V	Solar photovoltaic	PVS-100-TL	100	0.217	1000	Figure 2-1	Table 2-2	Must be within Distribution Code limits	Export to grid
Sep-19	AIRPORT WEST	400 V	Solar photovoltaic	FRONIUS ECO 27.0-3-S FRONIUS SYMO 20.0-3-M	67	0.145	500	Figure 2-1	Table 2-2	Must be within Distribution Code limits	Export to grid
Sep-19	ESSENDON NORTH	400 V	Solar photovoltaic	SOLAREEDGE SE50K	50	0.108	1000	Figure 2-1	Table 2-2	Must be within Distribution Code limits	Export to grid
Sep-19	HEIDELBERG WEST	400 V	Solar photovoltaic	SMA STP 50-40	50	0.108	300	Figure 2-1	Table 2-2	Must be within Distribution Code limits	Export to grid
Oct-19	PRESTON	400 V	Solar photovoltaic	SMA SUNNY TRIPOWER STP 25000TL SMA SUNNY TRIPOWER STP 15000TL	90	0.195	1500	Figure 2-1	Table 2-2	Must be within Distribution Code limits	Export to grid
Oct-19	BRAYBROOK	400 V	Solar photovoltaic	SOLAREEDGE SE82.8	82.8	0.179	315	Figure 2-1	Table 2-2	Must be within Distribution Code limits	Export to grid
Oct-19	CAMPBELLFIELD	400 V	Solar photovoltaic	FRONIUS SYMO 20.0-3-M	60	0.130	500	Figure 2-1	Table 2-2	Must be within Distribution Code limits	Export to grid
Oct-19	BROADMEADOWS	400 V	Solar photovoltaic	FRONIUS SYMO 20.0-3-M	80	0.173	500	Figure 2-1	Table 2-2	Must be within Distribution Code limits	Export to grid

Nov-19	CAMPBELLFIELD	400 V	Solar photovoltaic	FRONIUS ECO 25.0-3-S	100	0.217	500	Figure 2-1	Table 2-2	Must be within Distribution Code limits	Export to grid
Dec-19	HEIDELBERG	400 V	Solar photovoltaic	IQ7-60-2-INT S270-72-LN-2	39.75	0.086	500	Figure 2-1	Table 2-2	Must be within Distribution Code limits	Export to grid
Dec-19	FOOTSCRAY	400 V	Solar photovoltaic	FORNIUS SYMO 20.0-3.0-M	80	0.173	500	Figure 2-1	Table 2-2	Must be within Distribution Code limits	Export to grid
Dec-19	WEST FOOTSCRAY	400 V	Solar photovoltaic	FRONIUS ECO 27.0-3-S FRONIUS SYMO 15.0-3-M FRONIUS SYMO 20.0.30-S	258	0.559	2000	Figure 2-1	Table 2-2	Must be within Distribution Code limits	Export to grid
Dec-19	GREENVALE	400 V	Solar photovoltaic	FRONIUS ECO 25.0-3-S FRONIUS SYMO 15.0-3-M	155	0.336	500	Figure 2-1	Table 2-2	Must be within Distribution Code limits	Export to grid
Dec-19	FAWKNER	400 V	Solar photovoltaic	STP25000TL-30	75	0.162	500	Figure 2-1	Table 2-2	Must be within Distribution Code limits	Export to grid
Dec-19	BUNDOORA	HV 22 kV	Solar photovoltaic	ABB PVS-100-TL	500	0.020	-	Figure 2-1	Table 2-2	Must be within Distribution Code limits	Export to grid
Dec-19	ESSENDON WEST	400V	Solar photovoltaic	FRONIUS ECO 27.0-3-S FRONIUS ECO 25.0-3-S FRONIUS SYMO 12.5-3-M FRONIUS SYMO 10.0-3-M FRONIUS SYMO 8.2-3-M ENPHASE M250	210.9	0.457	1000 kVA	Figure 2-1	Table 2-2	Must be within Distribution Code limits	Export to grid
Jan-20	SOMERTON	400V	Solar photovoltaic	FRONIUS ECO 25.0-3-S	100	0.217	500 kVA	Figure 2-1	Table 2-2	Must be within Distribution Code limits	Export to grid
Jan-20	BELLFIELD	400V	Solar photovoltaic	FRONIUS ECO 25.0-3-S FRONIUS SYMO 10.0-3-M FRONIUS PRIMO 5.0-11	65	0.141	500kVA	Figure 2-1	Table 2-2	Must be within Distribution Code limits	Export to grid
Jan-20	CAMPBELLFIELD	400V	Solar photovoltaic	SE27.6K	82.8	0.179	500 kVA	Figure 2-1	Table 2-2	Must be within Distribution Code limits	Export to grid
Jan-20	PRESTON	400V	Solar photovoltaic	FRONIUS SYMO 25.0-3-S FRONIUS SYMO 20.0-3-M FRONIUS SYMO 20.0-3-M	65	0.141	1000 kVA	Figure 2-1	Table 2-2	Must be within Distribution Code limits	Export to grid
Jan-20	CAMPBELLFIELD	400V	Solar photovoltaic	SOLAR EDGE SE27.6K	55.2	0.120	315 KVA	Figure 2-1	Table 2-2	Must be within Distribution Code limits	Export to grid

Feb-20	THOMASTOWN	400V	Solar photovoltaic	FRONIUS ECO 27.0-3-S	81	0.175	300 kVA	Figure 2-1	Table 2-2	Must be within Distribution Code limits	Export to grid
Feb-20	SOMERTON	400V	Solar photovoltaic	FRONIUS ECO 25.0-3-S FRONIUS SYMO 7.0-3-M	82	0.178	1000 kVA	Figure 2-1	Table 2-2	Must be within Distribution Code limits	Export to grid
Feb-20	SOMERTON	400V	Solar photovoltaic	FRONIUS ECO 25.0-3-S FRONIUS SYMO 7.0-3-M	82	0.178	1000 kVA	Figure 2-1	Table 2-2	Must be within Distribution Code limits	Export to grid
Feb-20	COOLAROO	400V	Solar photovoltaic	FRONIUS SYMO 20.0-3-M	54	0.117	500 KVA	Figure 2-1	Table 2-2	Must be within Distribution Code limits	Export to grid
Feb-20	CRAIGIEBURN	400V	Solar photovoltaic	FRONIUS ECO 25.0-3-S	50	0.108	500 KVA	Figure 2-1	Table 2-2	Must be within Distribution Code limits	Includes battery system
Feb-20	SUNBURY	400V	Solar photovoltaic	FRONIUS ECO 27.0-3-S FRONIUS SYMO 10.0-3-M	91	0.197	500 kVA	Figure 2-1	Table 2-2	Must be within Distribution Code limits	Export to grid
Mar-20	SEDDON	400V	Solar photovoltaic	HUAWEI SUN2000-36KTL HUAWEI SUN2000-29.9KTL	60	0.130	500 KVA	Figure 2-1	Table 2-2	Must be within Distribution Code limits	Export to grid
Mar-20	ATTWOOD	400V	Cogen	CAPSTONE MICROTURBINE MODEL C65	195	0.422	1500 kVA	Figure 2-1	Table 2-2	Must be within Distribution Code limits	Export to grid
May-20	PRESTON	400V	Solar photovoltaic	FRONIUS SYMO 15.0.3-M SMA STP25000TL-30	55	0.119	500 KVA	Figure 2-1	Table 2-2	Must be within Distribution Code limits	Export to grid
May-20	RESERVOIR	400V	Solar photovoltaic	FRONIUS ECO 27.0-3-S	81	0.175	300kVA	Figure 2-1	Table 2-2	Must be within Distribution Code limits	Export to grid
May-20	PRESTON	400V	Solar photovoltaic	FRONIUS SYMO 15.0.3-M SMA STP25000TL-30	55	0.119	500 KVA	Figure 2-1	Table 2-2	Must be within Distribution Code limits	Export to grid
May-20	FOOTSCRAY	400V	Solar photovoltaic	FRONIUS SYMO 20.0-3-M	60	0.130	300kVA	Figure 2-1	Table 2-2	Must be within Distribution Code limits	Export to grid
May-20	GLENROY	400V	Solar photovoltaic	FRONIUS SYMO 20.0-3-M FRONIUS SYMO 17.5-3-M FRONIUS SYMO 15.0-3-M	70	0.152	315 kVA	Figure 2-1	Table 2-2	Must be within Distribution Code limits	Export to grid
May-20	GREENVALE	400V	Solar photovoltaic	STP20000TL-30	40	0.087	500 KVA	Figure 2-1	Table 2-2	Must be within Distribution Code limits	Export to grid
May-20	PRESTON	400V	Solar photovoltaic	FRONIUS ECO 25.0-3-S FRONIUS SYMO 15.0-3-M	40	0.087	500 kVA	Figure 2-1	Table 2-2	Must be within Distribution Code limits	Export to grid

May-20	WEST FOOTSCRAY	400V	Solar photovoltaic	FRONIUS SYMO 27.0-3-M	57.7	0.125	750 KVA	Figure 2-1	Table 2-2	Must be within Distribution Code limits	Export to grid
Jul-20	CAMPBELLFIELD	400V	Solar photovoltaic	GW50K-MT	100	0.217	1000 kVA	Figure 2-1	Table 2-2	Must be within Distribution Code limits	Export to grid
Jul-20	HILLSIDE	400V	Solar photovoltaic	SE82.8K, SOLAREEDGE TECHNOLOGIES	82.8	0.179	500 kVA	Figure 2-1	Table 2-2	Must be within Distribution Code limits	Export to grid
Jul-20	TULLAMARINE	400V	Solar photovoltaic	SG110CX, SUNGROW POWER SUPPLY CO LTD	110	0.238	500 kVA	Figure 2-1	Table 2-2	Must be within Distribution Code limits	Export to grid
Jul-20	CAMPBELLFIELD	400V	Solar photovoltaic	STP 50-40, SMA AUSTRALIA	100	0.217	1000kVA	Figure 2-1	Table 2-2	Must be within Distribution Code limits	Export to grid
Jul-20	WESTMEADOWS	400V	Solar photovoltaic	SMA STP 50-40	50	0.108	300 KVA	Figure 2-1	Table 2-2	Must be within Distribution Code limits	Export to grid
Jul-20	CAMPBELLFIELD	400V	Solar photovoltaic	FRONIUS ECO 27.0-3-S FRONIUS SYMO 20.0-3-M	47	0.102	500kVA	Figure 2-1	Table 2-2	Must be within Distribution Code limits	Export to grid
Aug-20	CAMPBELLFIELD	400V	Solar photovoltaic	FRONIUS ECO 27.0-3-S FRONIUS SYMO 20.0-3-M	74	0.160	500 kVA	Figure 2-1	Table 2-2	Must be within Distribution Code limits	Export to grid
Aug-20	CAMPBELLFIELD	400V	Solar photovoltaic	GW50K-MT	100	0.217	300 kVA	Figure 2-1	Table 2-2	Must be within Distribution Code limits	Export to grid
Aug-20	KEILOR EAST	400V	Solar photovoltaic	FRONIUS ECO 27.0-3-S	81	0.175	315 kVA	Figure 2-1	Table 2-2	Must be within Distribution Code limits	Export to grid
Aug-20	FOOTSCRAY	400V	Solar photovoltaic	SOLAREEDGE TECHNOLOGIES LTD, SE27.6K	82.8	0.179	1500 kVA	Figure 2-1	Table 2-2	Must be within Distribution Code limits	Export to grid
Aug-20	BROADMEADOWS,	400V	Solar photovoltaic	FRONIUS AUSTRALIA, ECO 27.0-3-S	81	0.175	1000 kVA	Figure 2-1	Table 2-2	Must be within Distribution Code limits	Export to grid
Sep-20	CAMPBELLFIELD	400V	Solar photovoltaic	SMA STP-25000TL-30	100	0.217	1000 kVA	Figure 2-2	Table 2-3	Must be within Distribution Code limits	Export to grid
Sep-20	CAMPBELLFIELD	400V	Solar photovoltaic	SMA STP-25000TL-30	100	0.217	1000 kVA	Figure 2-1	Table 2-2	Must be within Distribution Code limits	Export to grid
Sep-20	KINGSBURY	400V	Solar photovoltaic	SOLAREEDGE SE27.6K SOLAREEDGE SE82.8K	193.2	0.418	500 kVA	Figure 2-1	Table 2-2	Must be within Distribution Code limits	Export to grid
Sep-20	BUNDOORA	HV (22 kV)	Solar photovoltaic	SOLAREEDGE SE15K SOLAREEDGE SE17K SOLAREEDGE SE25K SOLAREEDGE SE27.6K SOLAREEDGE SE50K SOLAREEDGE SE82.8K	1486.9	0.059	-	Figure 2-1	Table 2-2	Must be within Distribution Code limits	Export to grid

Sep-20	RESERVOIR	400V	Solar photovoltaic	GOODWE GW80K-MT	80	0.173	500kVA	Figure 2-1	Table 2-2	Must be within Distribution Code limits	Export to grid
Sep-20	CRAIGIEBURN	400V	Solar photovoltaic	SMA STP25000TL-30	50	0.108	500 kVA	Figure 2-1	Table 2-2	Must be within Distribution Code limits	Export to grid
Sep-20	SUNBURY	400V	Solar photovoltaic	FRONIUS ECO 25.0-3-S	100	0.217	315kVA	Figure 2-1	Table 2-2	Must be within Distribution Code limits	Export to grid
Sep-20	KEILOR PARK	400V	Solar photovoltaic	FRONIUS SYMO 20.0-3-M FRONIUS SYMO 15.0-3-M FRONIUS SYMO 10.0.3-M	75	0.162	100 kVA	Figure 2-1	Table 2-2	Must be within Distribution Code limits	Export to grid
Sep-20	BROOKLYN	400V	Solar photovoltaic	FRONIUS ECO 27.0-3-S	81	0.175	315kVA	Figure 2-1	Table 2-2	Must be within Distribution Code limits	Export to grid
Oct-20	TULLAMARINE	400V	Solar photovoltaic	SG110CX SUNGROW POWER SUPPLY CO LTD	110	0.238	500kVA	Figure 2-1	Table 2-2	Must be within Distribution Code limits	Export to grid
Oct-20	TULLAMARINE	400V	Solar photovoltaic	FRONIUS ECO 27.0-3-S FRONIUS SYMO 7.0-3-M	61	0.132	1000 kVA	Figure 2-1	Table 2-2	Must be within Distribution Code limits	Export to grid
Oct-20	CAMPBELLFIELD	400V	Solar photovoltaic	FRONIUS ECO 27.0-3-S FRONIUS SYMO 20.0-3-M	47	0.102	500kVA	Figure 2-1	Table 2-2	Must be within Distribution Code limits	Export to grid
Nov-20	COBURG	400V	Solar photovoltaic	FRONIUS ECO 27.0-3-S	81	0.175	315 kVA	Figure 2-1	Table 2-2	Must be within Distribution Code limits	Export to grid
Nov-20	COBURG NORTH	400V	Solar photovoltaic	FRONIUS ECO 27.0-3-S	81	0.175	500kVA	Figure 2-1	Table 2-2	Must be within Distribution Code limits	Export to grid
Nov-20	PRESTON	400V	Solar photovoltaic	FRONIUS SYMO 20.0-3-M, FRONIUS SYMO 10.0-3-M	50	0.108	500kVA	Figure 2-1	Table 2-2	Must be within Distribution Code limits	Export to grid
Dec-20	GLENROY	400V	Solar photovoltaic	FRONIUS ECO 27.0-3-S	81	0.175	200kVA	Figure 2-1	Table 2-2	Must be within Distribution Code limits	Export to grid
Dec-20	BROADMEADOWS	400V	Solar photovoltaic	SYMO 17.5-3-M FRONIUS INTERNATIONAL GMBH ECO 27.0-3-S FRONIUS AUSTRALIA	98.5	0.213	315kVA	Figure 2-1	Table 2-2	Must be within Distribution Code limits	Export to grid

Dec-20	PASCOE VALE SOUTH	LV	Solar photovoltaic	SUNGROW SG110CX	110	0.238	500kVA	Figure 2-1	Table 2-2	Must be within Distribution Code limits	Export to grid
Dec-20	SUNBURY	LV	Solar photovoltaic	ECO 27.0-3-S FRONIUS AUSTRALIA	81	0.175	1500kVA	Figure 2-1	Table 2-2	Must be within Distribution Code limits	Export to grid
Dec-20	ALPHINGTON	LV	Solar photovoltaic	SMA STP25000TL-30	50	0.108	300kVA	Figure 2-1	Table 2-2	Must be within Distribution Code limits	Export to grid
Dec-20	PRESTON	LV	Solar photovoltaic	FRONIUS SYMO 20.0-3-M	40	0.087	1500 kVA	Figure 2-1	Table 2-2	Must be within Distribution Code limits	Export to grid
Dec-20	WEST FOOTSCRAY	LV	Solar photovoltaic	ENPHASE IQ7PLUS-72-2-INT	62.93	0.136	2000kVA	Figure 2-1	Table 2-2	Must be within Distribution Code limits	Export to grid
Jan-21	WEST FOOTSCRAY	LV	Solar photovoltaic	ENPHASE IQ7PLUS-72-2-INT	22.62	0.049	2000kVA	Figure 2-1	Table 2-2	Must be within Distribution Code limits	Export to grid
Jan-21	BROADMEADOWS	LV	Solar photovoltaic	SE82.8K SOLAREEDGE TECHNOLOGIES LTD	82.8	0.179	315kVA	Figure 2-1	Table 2-2	Must be within Distribution Code limits	Export to grid
Jan-21	CAMPBELLFIELD	LV	Solar photovoltaic	SG50CX SUNGROW POWER SUPPLY CO LTD	50	0.108	500 kVA	Figure 2-1	Table 2-2	Must be within Distribution Code limits	Export to grid
Jan-21	SOMERTON	LV	Solar photovoltaic	SYMO 20.0-3-M FRONIUS INTERNATIONAL GMBH	80	0.173	500kVA	Figure 2-1	Table 2-2	Must be within Distribution Code limits	Export to grid
Jan-21	HEIDELBERG	LV	Solar photovoltaic	SE25K SE17K SOLAREEDGE TECHNOLOGIES	42	0.091	1500kVA	Figure 2-1	Table 2-2	Must be within Distribution Code limits	Export to grid
Jan-21	CAMPBELLFIELD	LV	Solar photovoltaic	SYMO 20.0-3-M FRONIUS INTERNATIONAL GMBH ECO 27.0-3-S FRONIUS AUSTRALIA	67	0.145	500kVA	Figure 2-1	Table 2-2	Must be within Distribution Code limits	Export to grid
Jan-21	FAIRFIELD	LV	Solar photovoltaic and battery storage	FRONIUS PRIMO 8.2-13 TESLA AC POWERWALL	8.2	0.018	250kVA	Figure 2-1	Table 2-2	Must be within Distribution Code limits	Export to grid
Feb-21	FLEMINGTON	LV	Solar photovoltaic	SE82.8K SOLAREEDGE TECHNOLOGIES LTD	82.8	0.179	300kVA	Figure 2-1	Table 2-2	Must be within Distribution Code limits	Export to grid
Feb-21	BUNDOORA	LV	Solar photovoltaic	SE15K SE17K SE25K SE50K SOLAREEDGE TECHNOLOGIES LTD	165	0.357	-	Figure 2-1	Table 2-2	Must be within Distribution Code limits	Export to grid

Feb-21	CAMPBELLFIELD	LV	Solar photovoltaic	ECO 25.0-3-S FRONIUS AUSTRALIA SYMO 20.0-3M FRONIUS INTERNATIONAL GMBH	95	0.206	315kVA	Figure 2-1	Table 2-2	Must be within Distribution Code limits	Export to grid
Feb-21	RESERVOIR	LV	Solar photovoltaic	SG110CX SUNGROW POWER SUPPLY CO LTD	110	0.238	500kVA	Figure 2-1	Table 2-2	Must be within Distribution Code limits	Export to grid
Feb-21	KEILOR EAST	LV	Solar photovoltaic	STP25000TL-30 SMA AUSTRALIA PTY LTD	100	0.217	1000kVA	Figure 2-1	Table 2-2	Must be within Distribution Code limits	Export to grid
Mar-21	SOMERTON	LV	Solar photovoltaic	SG110CX SUNGROW POWER SUPPLY CO LTD	110	0.238	500 kVA	Figure 2-1	Table 2-2	Must be within Distribution Code limits	Export to grid
Apr-21	COOLAROO	LV	Solar photovoltaic	SG110CX SUNGROW POWER SUPPLY CO LTD	220	0.476	1500kVA	Figure 2-1	Table 2-2	Must be within Distribution Code limits	Export to grid
Apr-21	CAMPBELLFIELD	LV	Solar photovoltaic	SUN2000-100KTL-M1 HUAWEI TECHNOLOGIES CO LTD	100	0.217	500kVA	Figure 2-1	Table 2-2	Must be within Distribution Code limits	Export to grid
Apr-21	SUNBURY	LV	Solar photovoltaic	SYMO 20.0-3-M FRONIUS INTERNATIONAL GMBH	40	0.087	315kVA	Figure 2-1	Table 2-2	Must be within Distribution Code limits	Export to grid
May-21	SOMERTON	LV	Solar photovoltaic	SG30CX SUNGROW POWER SUPPLY CO LTD	59.8	0.129	500kVA	Figure 2-1	Table 2-2	Must be within Distribution Code limits	Export to grid
May-21	CAMPBELLFIELD	LV	Solar photovoltaic	STP 110-60 SMA SOLAR TECHNOLOGY AG	110	0.238	300kVA	Figure 2-1	Table 2-2	Must be within Distribution Code limits	Export to grid
May-21	CRAIGIEBURN	LV	Solar photovoltaic	ECO 27.0-3-S FRONIUS AUSTRALIA SYMO 12.5-3-M FRONIUS INTERNATIONAL GMBH	93.5	0.202	315kVA	Figure 2-1	Table 2-2	Must be within Distribution Code limits	Export to grid
Jun-21	SOMERTON	LV	Solar photovoltaic	STP25000TL-30 SMA AUSTRALIA PTY LTD	75	0.162	500kVA	Figure 2-1	Table 2-2	Must be within Distribution Code limits	Export to grid
Jun-21	CAMPBELLFIELD	LV	Solar photovoltaic	STP 50-40 SMA AUSTRALIA PTY LTD	100	0.217	500kVA	Figure 2-1	Table 2-2	Must be within Distribution Code limits	Export to grid
Jun-21	ROXBURGH PARK	LV	Solar photovoltaic	FRONIUS ECO 27.0-3-S	54	0.117	1000kVA	Figure 2-1	Table 2-2	Must be within Distribution Code limits	Export to grid

Jun-21	ESSENDON	LV	Solar photovoltaic and battery storage	IQ7A-72-2-INT ENPHASE ENERGY NEW ZEALAND LTD	10.584	0.023	500kVA	Figure 2-1	Table 2-2	Must be within Distribution Code limits	Export to grid
Jul-21	CRAGIEBURN	LV	Solar photovoltaic	FRONIUS ECO 27.0-3-S FRONIUS SYMO 20.0-3-M FRONIS SYMO 5.0-3-M	52	0.113	500kVA	Figure 2-1	Table 2-2	Must be within Distribution Code limits	Export to grid
Jul-21	MACLEOD	LV	Solar photovoltaic and battery storage	SE10000H SOLAREEDGE TECHNOLOGIES LTD AC POWERWALL 2 TESLA MOTORS AUSTRALIA PTY LTD	5	0.011	500kVA	Figure 2-1	Table 2-2	Must be within Distribution Code limits	Export to grid
Jul-21	AVONDALE HEIGHTS	LV	Solar photovoltaic	SMA STP25000TL-30 SMA STP10.0-3AV-40 SMA AUSTRALIA	60	0.130	500kVA	Figure 2-1	Table 2-2	Must be within Distribution Code limits	Export to grid
Jul-21	GREENVALE	LV	Solar photovoltaic	ECO 27.0-3-S FRONIUS AUSTRALIA ECO 25.0-3-S FRONIUS AUSTRALIA	79	0.171	500kVA	Figure 2-1	Table 2-2	Must be within Distribution Code limits	Export to grid
Jul-21	KEILOR PARK	LV	Solar photovoltaic	GW60KN-MT JIANGSU GOODWE POWER SUPPLY TECHNOLOGY CO LTD	60	0.130	1000kVA	Figure 2-1	Table 2-2	Must be within Distribution Code limits	Export to grid
Jul-21	BROOKLYN	LV	Solar photovoltaic	SUN2000-29.9KTL HUAWEI TECHNOLOGIES CO LTD	89.7	0.194	315kVA	Figure 2-1	Table 2-2	Must be within Distribution Code limits	Export to grid
Jul-21	FOOTSCRAY	LV	Solar photovoltaic	STP25000TL-30 SMA AUSTRALIA PTY LTD	100	0.217	1500kVA	Figure 2-1	Table 2-2	Must be within Distribution Code limits	Export to grid
Jul-21	TULLAMARINE	LV	Solar photovoltaic	STP25000TL-30 SMA AUSTRALIA PTY LTD	75	0.162	1000kVA	Figure 2-1	Table 2-2	Must be within Distribution Code limits	Export to grid
Aug-21	IVANHOE	LV	Solar photovoltaic	SYMO 15.0-3-M SYMO 20.0-3-M SYMO 8.2-3-M SYMO 12.5-3-M FRONIUS INTERNATIONAL GMBH	165.7	0.359	500kVA	Figure 2-1	Table 2-2	Must be within Distribution Code limits	Export to grid
Aug-21	BROADMEADOWS	LV	Solar photovoltaic	STP20000TL-30 SMA AUSTRALIA PTY LTD	80	0.173	500kVA	Figure 2-1	Table 2-2	Must be within Distribution Code limits	Export to grid
Aug-21	TULLAMARINE	LV	Solar photovoltaic	STP25000TL-30 SMA AUSTRALIA PTY LTD	50	0.108	500kVA	Figure 2-1	Table 2-2	Must be within Distribution Code limits	Export to grid

Aug-21	SUNBURY	LV	Solar photovoltaic	FRONIUS ECO 27.0-3-S	81	0.175	315kVA	Figure 2-1	Table 2-2	Must be within Distribution Code limits	Export to grid
Aug-21	GLENROY	LV	Solar photovoltaic	F2M390H8A UNITED RENEWABLE ENERGY CO LTD	110	0.238	300kVA	Figure 2-1	Table 2-2	Must be within Distribution Code limits	Export to grid
Aug-21	YARRAVILLE	LV	Solar photovoltaic	SUN2000-100KTL-M1 HUAWEI TECHNOLOGIES CO LTD	100	0.217	200kVA	Figure 2-1	Table 2-2	Must be within Distribution Code limits	Export to grid
Aug-21	BROOKLYN	LV	Solar photovoltaic	SG50CX SUNGROW POWER SUPPLY CO LTD	50	0.108	315kVA	Figure 2-1	Table 2-2	Must be within Distribution Code limits	Export to grid
Aug-21	MEADOW HEIGHTS	LV	Solar photovoltaic	SUN2000-29.9KTL HUAWEI TECHNOLOGIES CO LTD	89.7	0.194	1000kVA	Figure 2-1	Table 2-2	Must be within Distribution Code limits	Export to grid
Sep-21	COBURG	LV	Solar photovoltaic	STP 50-40 SUNNY TRIPOWER STP15000TL-30 SUNNY TRIPOWER	65	0.141	500kVA	Figure 2-1	Table 2-2	Must be within Distribution Code limits	Export to grid
Oct-21	CAMPBELLFIELD	LV	Solar photovoltaic	SOLIS-30K-5G-AU GINLONG TECHNOLOGIES CO LTD	60	0.130	300kVA	Figure 2-1	Table 2-2	Must be within Distribution Code limits	Export to grid
Oct-21	MACLEOD	LV	Solar photovoltaic and battery storage	FRONIUS AUSTRALIA, 27.0-3-S TESLA AC POWERWALL 5KVA	143	0.310	200kVA	Figure 2-1	Table 2-2	Must be within Distribution Code limits	Export to grid
Oct-21	KENSINGTON	LV	Solar photovoltaic	STP15000TL-30 SMA AUSTRALIA PTY LTD	15	0.032	1500kVA	Figure 2-1	Table 2-2	Must be within Distribution Code limits	Export to grid
Oct-21	COBURG	LV	Solar photovoltaic	SG50CX SUNGROW POWER SUPPLY CO LTD	100	0.217	1000kVA	Figure 2-1	Table 2-2	Must be within Distribution Code limits	Export to grid
Oct-21	ROSANNA	LV	Solar photovoltaic	SE82.8K SOLAREEDGE TECHNOLOGIES LTD	248.4	0.538	1500kVA	Figure 2-1	Table 2-2	Must be within Distribution Code limits	Export to grid
Nov-21	CAMPBELLFIELD	LV	Solar photovoltaic	STP 50-40 SMA AUSTRALIA PTY LTD	50	0.108	300kVA	Figure 2-1	Table 2-2	Must be within Distribution Code limits	Export to grid
Nov-21	ROSANNA	LV	Solar photovoltaic and battery storage	SE10000H SOLAREEDGE TECHNOLOGIES LTD TESLA POWERWALL	15	0.032	1500kVA	Figure 2-1	Table 2-2	Must be within Distribution Code limits	Export to grid
Nov-21	SUNBURY	LV	Solar photovoltaic	ECO 25.0-3-S FRONIUS AUSTRALIA	35	0.076	315kVA	Figure 2-1	Table 2-2	Must be within Distribution Code limits	Export to grid

				SYMO 10.0-3-M FRONIUS INTERNATIONAL GMBH							
Nov-21	GREENVALE	LV	Solar photovoltaic	SYMO 17.5-3-M FRONIUS INTERNATIONAL GMBH SYMO 15.0-3-M FRONIUS INTERNATIONAL GMBH	47.5	0.103	500kVA	Figure 2-1	Table 2-2	Must be within Distribution Code limits	Export to grid
Nov-21	HEIDELBERG HEIGHTS	LV	Solar photovoltaic	ECO27.0-3-S FRONIUS AUSTRALIA	81	0.175	1000kVA	Figure 2-1	Table 2-2	Must be within Distribution Code limits	Export to grid
Nov-21	CAMPBELLFIELD	LV	Solar photovoltaic	ECO 25.0-3-S FRONIUS AUSTRALIA	50	0.108	1000kVA	Figure 2-1	Table 2-2	Must be within Distribution Code limits	Export to grid
Nov-21	COBURG NORTH	LV	Solar photovoltaic	ECO 27.0-3-S FRONIUS AUSTRALIA	54	0.117	500kVA	Figure 2-1	Table 2-2	Must be within Distribution Code limits	Export to grid
Dec-21	FAIRFIELD	LV	Solar photovoltaic	ECO 27.0-3-S FRONIUS AUSTRALIA SYMO 17.5-3-M FRONIUS INTERNATIONAL GMBH	62	0.134	500kVA	Figure 2-1	Table 2-2	Must be within Distribution Code limits	Export to grid
Dec-21	CAMPBELLFIELD	LV	Solar PV	SE30K SOLAREEDGE TECHNOLOGIES LTD	60	0.130	200kVA	Figure 2-1	Table 2-2	Must be within Distribution Code limits	Export to grid
Dec-21	FOOTSCRAY	LV	Solar PV	SOLIS-3P20K-4G SOLIS-3P15K-4G GINLONG TECHNOLOGIES CO LTD	38.5	0.083	500kVA	Figure 2-1	Table 2-2	Must be within Distribution Code limits	Export to grid
Dec-21	TULLAMARINE	LV	Solar PV	SG110CX SUNGROW POWER SUPPLY CO LTD	110	0.238	500kVA	Figure 2-1	Table 2-2	Must be within Distribution Code limits	Export to grid
Dec-21	FOOTSCRAY	LV	Solar PV	SE82.8K SOLAREEDGE TECHNOLOGIES LTD	82.8	0.179	315kVA	Figure 2-1	Table 2-2	Must be within Distribution Code limits	Export to grid
Dec-21	TULLAMARINE	LV	Solar PV	SE50K SOLAR EDGE TECHNOLOGIES LTD	50	0.108	1000kVA	Figure 2-1	Table 2-2	Must be within Distribution Code limits	Export to grid
Dec-21	PRESTON	LV	Solar PV	ECO 27.0-3-S FRONIUS AUSTRALIA	27	0.058	1000kVA	Figure 2-1	Table 2-2	Must be within Distribution Code limits	Export to grid
Dec-21	KEILOR EAST	LV	Solar PV	ECO 27.0-3-S FRONIUS	81	0.175	1500kVA	Figure 2-1	Table 2-2	Must be within Distribution Code limits	Export to grid

Jan-22	TULLAMARINE	LV	Solar PV	ECO 25.0-3-S FRONIUS AUSTRALIA SYMO 15.0-3-M FRONIUS INTERNATIONAL GMBH	55	0.119	300kVA	Figure 2-1	Table 2-2	Must be within Distribution Code limits	Export to grid
Jan-22	DALLAS	LV	Solar PV	SYMO 20.0-3-M FRONIUS INTERNATIONAL GMBH	60	0.130	300kVA	Figure 2-1	Table 2-2	Must be within Distribution Code limits	Export to grid
Jan-22	KEILOR PARK	LV	Solar PV	SG110CX SUNGROW POWER SUPPLY CO LTD	110	0.238	1500kVA	Figure 2-1	Table 2-2	Must be within Distribution Code limits	Export to grid
Jan-22	AIRPORT WEST	LV	Solar PV	SOLIS-3P20K-4G SOLIS-30K-5G-AU GINLONG TECHNOLOGIES CO LTD	52	0.113	500kVA	Figure 2-1	Table 2-2	Must be within Distribution Code limits	Export to grid
Jan-22	FOOTSCRAY	LV	Solar PV	SOLIS -3P20K-4G SOLIS-30K-5G-AU GINLONG TECHNOLOGIES CO LTD	52	0.113	1000kVA	Figure 2-1	Table 2-2	Must be within Distribution Code limits	Export to grid
Feb-22	GREENVALE	LV	Solar PV	SMA STP110-60 SMA SOLAR TECHNOLOGY AG	110	0.238	1000kVA	Figure 2-1	Table 2-2	Must be within Distribution Code limits	Export to grid
Feb-22	PASCOE VALE	LV	Solar PV and Battery Storage	PRIMO 8.2-1 FRONIUS AUSTRALIA AC POWERWALL TESLA MOTORS AUSTRALIA PTY LTD	13.2	0.029	500kVA	Figure 2-1	Table 2-2	Must be within Distribution Code limits	Export to grid
Feb-22	ESSENDON	LV	Solar PV	SYMO 20.0-3-M SYMO 17.5-3-M FRONIUS INTERNATIONAL GMBH	57.5	0.124	1000kVA	Figure 2-1	Table 2-2	Must be within Distribution Code limits	Export to grid
Feb-22	CAMPBELLFIELD	LV	Solar PV	SG50CX SUNGROW POWER SUPPLY CO LTD	50	0.108	500kVA	Figure 2-1	Table 2-2	Must be within Distribution Code limits	Export to grid
Feb-22	CAMPBELLFIELD	LV	Solar PV	SG110CX SUNGROW POWER SUPPLY CO LTD	110	0.238	500kVA	Figure 2-1	Table 2-2	Must be within Distribution Code limits	Export to grid
Mar-22	CAMPBELLFIELD	LV	Solar PV	STP50-40 SMA AUSTRALIA PTY LTD	100	0.217	2000kVA	Figure 2-1	Table 2-2	Must be within Distribution Code limits	Export to grid

Mar-22	ESSENDON	LV	Solar PV and Battery Storage	GW10K-MS JIANGSU GOODWE POWER SUPPLY TECHNOLOGY CO LTD AC POWERWALL TESLA MOTORS AUSTRALIA PTY LTD	15	0.032	200kVA	Figure 2-1	Table 2-2	Must be within Distribution Code limits	Export to grid
Apr-22	SEDDON	LV	Solar PV	SYMO 20.0-3-M SYMO 15.0-3-M FRONIUS INTERNATIONAL GMBH	75	0.162	500kVA	Figure 2-1	Table 2-2	Must be within Distribution Code limits	Export to grid
Apr-22	DALLAS	LV	Solar PV	SOLIS-25-5G-AU GINLONG TECHNOLOGIES CO LTD	50	0.108	500kVA	Figure 2-1	Table 2-2	Must be within Distribution Code limits	Export to grid
Apr-22	WEST FOOTSCRAY	LV	Solar PV	ECO 25.0-3-S FRONIUS AUSTRALIA ECO 27.0-3-S FRONIUS AUSTRALIA	52	0.113	500kVA	Figure 2-1	Table 2-2	Must be within Distribution Code limits	Export to grid
Apr-22	CAMPBELLFIELD	LV	Solar PV	STP 110-60 SMA SOLAR TECHNOLOGY AG	110	0.238	1000kVA	Figure 2-1	Table 2-2	Must be within Distribution Code limits	Export to grid
Apr-22	CRAIGIEBURN	LV	Solar PV and Battery	AC POWERWALL TESLA MOTORS AUSTRALIA PTY LTD	5	0.011	300kVA	Figure 2-1	Table 2-2	Must be within Distribution Code limits	Export to grid
May-22	VIEWBANK	LV	Solar PV	SOLIS-3P20K-4G SOLIS-3P15K-4G GINLONG TECHNOLOGIES CO LTD	35	0.076	315kVA	Figure 2-1	Table 2-2	Must be within Distribution Code limits	Export to grid
May-22	FAIRFIELD	LV	Solar PV	SG110CX SUNGROW POWER SUPPLY CO LTD	110	0.238	1000kVA	Figure 2-1	Table 2-2	Must be within Distribution Code limits	Export to grid
May-22	FLEMINGTON	LV	Solar PV	SE82.8K SOLAREEDGE TECHNOLOGIES LTD	82.8	0.179	1500kVA	Figure 2-1	Table 2-2	Must be within Distribution Code limits	Export to grid
May-22	FLEMINGTON	LV	Solar PV	SE82.8K SOLAREEDGE TECHNOLOGIES LTD	82.8	0.179	1500kVA	Figure 2-1	Table 2-2	Must be within Distribution Code limits	Export to grid
May-22	COOLAROO	LV	Solar PV	SG50CX SUNGROW POWER SUPPLY CO LTD	150	0.325	750kVA	Figure 2-1	Table 2-2	Must be within Distribution Code limits	Export to grid
May-22	CRAIGIEBURN	LV	Solar PV and Battery	TESLA AC POWERWALL	5	0.011	300kVA	Figure 2-1	Table 2-2	Must be within Distribution Code limits	Export to grid
May-22	PRESTON	LV	Solar PV	TAURO ECO 100-3-D FRONIUS AUSTRALIA PTY LTD	100	0.217	1000kVA	Figure 2-1	Table 2-2	Must be within Distribution Code limits	Export to grid

May-22	SOMERTON	LV	Solar PV	SG30CX, SG50CX SUNGROW POWER SUPPLY CO LTD	79.9	0.173	1000 kVA	Figure 2-1	Table 2-2	Must be within Distribution Code limits	Export to grid
May-22	BROADMEADOWS	LV	Solar PV	TAURO ECO 100-3-D FRONIUS AUSTRALIA PTY LTD	100	0.217	1000 kVA	Figure 2-1	Table 2-2	Must be within Distribution Code limits	Export to grid
May-22	SOMERTON	HV (22kV)	Solar PV	STP 110-60 SMA SOLAR TECHNOLOGY AG	110	0.004	-	Figure 2-1	Table 2-2	Must be within Distribution Code limits	Export to grid
Jun-22	GLENROY	LV	Solar PV	SG110CX SUNGROW POWER SUPPLY CO LTD	110	0.238	500kVA	Figure 2-1	Table 2-2	Must be within Distribution Code limits	Export to grid
Jun-22	CAMPBELLFIELD	LV	Solar PV	SUN2000-100KTL-M1 HUAWEI TECHNOLOGIES CO LTD	100	0.217	315 kVA	Figure 2-1	Table 2-2	Must be within Distribution Code limits	Export to grid
Jun-22	RESERVOIR	LV	Solar PV	SE30K SOLAR EDGE TECHNOLOGIES LTD	90	0.195	500kVA	Figure 2-1	Table 2-2	Must be within Distribution Code limits	Export to grid
Jun-22	CAMPBELLFIELD	LV	Solar PV	SG50CX SUNGROW POWER SUPPLY CO LTD	50	0.108	500 kVA	Figure 2-1	Table 2-2	Must be within Distribution Code limits	Export to grid
Jun-22	CRAIGIEBURN	LV	Solar PV	SE50K SOLAREEDGE TECHNOLOGIES LTD	200	0.433	1500kVA	Figure 2-1	Table 2-2	Must be within Distribution Code limits	Export to grid
Jul-22	CAMPBELLFIELD	LV	Solar PV	GW100K-HT JIANGSU GOODWE POWER SUPPLY TECHNOLOGY CO LTD	99.99	0.216	500 kVA	Figure 2-1	Table 2-2	Must be within Distribution Code limits	Export to grid
Aug-22	IVANHOE	LV	Solar PV	ECO 27.0-3-S ECO25.0-3-S SYMO 10.0-3-M FRONIUS AUSTRALIA	197	0.427	1000kVA	Figure 2-1	Table 2-2	Must be within Distribution Code limits	Export to grid
Aug-22	CAMPBELLFIELD	LV	Solar PV	SUN2000-100KTL-M1 HUAWEI TECHNOLOGIES CO LTD	100	0.217	200 kVA	Figure 2-1	Table 2-2	Must be within Distribution Code limits	Export to grid
Aug-22	CAMPBELLFIELD	LV	Solar PV	SG50CX SUNGROW POWER SUPPLY CO LTD	50	0.108	500kVA	Figure 2-1	Table 2-2	Must be within Distribution Code limits	Export to grid
Aug-22	CAMPBELLFIELD	LV	Solar PV	SG50CX SUNGROW POWER SUPPLY CO LTD	50	0.108	500kVA	Figure 2-1	Table 2-2	Must be within Distribution Code limits	Export to grid

Aug-22	PRESTON	LV	Solar PV	SG110CX SUNGROW POWER SUPPLY CO LTD	110	0.238	1500kVA	Figure 2-1	Table 2-2	Must be within Distribution Code limits	Export to grid
Aug-22	TOTTHENHAM	LV	Solar PV	STP50-41 SMA SOLAR TECHNOLOGY AG	100	0.217	315kVA	Figure 2-1	Table 2-2	Must be within Distribution Code limits	Export to grid
Sep-22	COBURG NORTH	LV	Solar PV	SUN2000-29.9KTL-M3 HUAWEI TECHNOLOGIES CO LTD	59.8	0.129	300kVA	Figure 2-1	Table 2-2	Must be within Distribution Code limits	Export to grid
Sep-22	COBURG	LV	Solar PV and Battery Storage	IQ7-B1200-LN-I-INT01- RVO ENPHASE ENERGY AUSTRALIA PTY LTD HYBRID 9.53/5 SONNEN GMBH	13.88	0.030	315kVA	Figure 2-1	Table 2-2	Must be within Distribution Code limits	Export to grid
Sep-22	BROADMEADOWS	LV	Solar PV	STP 110-60 SMA AUSTRALIA PTY LTD	110	0.238	500kVA	Figure 2-1	Table 2-2	Must be within Distribution Code limits	Export to grid
Sep-22	BELLFIELD	LV	Solar PV	SE25K SOLAREEDGE TECHNOLOGIES LTD ECO 25.0-3-S SYMO 10.0-3-M SYMO 20.0-3-M FRONIUS AUSTRALIA PTY LTD	155	0.336	2000 kVA	Figure 2-1	Table 2-2	Must be within Distribution Code limits	Export to grid
Sep-22	TULLAMARINE	LV	Solar PV	SG110CX SUNGROW POWER SUPPLY CO LTD	330	0.714	750 KVA	Figure 2-1	Table 2-2	Must be within Distribution Code limits	Export to grid
Oct-22	PRESTON	LV	Solar PV	SG110CX SUNGROW POWER SUPPLY CO LTD	110	0.238	500kVA	Figure 2-1	Table 2-2	Must be within Distribution Code limits	Export to grid
Oct-22	COBURG	LV	Solar PV and battery	AC POWERWALL TESLA MOTORS AUSTRALIA PTY LTD	5	0.011	500kVA	Figure 2-1	Table 2-2	Must be within Distribution Code limits	Export to grid
Nov-22	BROADMEADOWS	LV	Solar PV	ECO 27.0-3-S FRONIUS	189	0.409	1000kVA	Figure 2-1	Table 2-2	Must be within Distribution Code limits	Export to grid
Nov-22	PRESTON	LV	Solar PV	SYMO 20.0-3-M FRONIUS AUSTRALIA PTY LTD	80	0.173	2000 kVA	Figure 2-1	Table 2-2	Must be within Distribution Code limits	Export to grid
Nov-22	RESERVOIR	LV	Solar PV	SG110CX SUNGROW POWER SUPPLY CO LTD	110	0.238	300kVA	Figure 2-1	Table 2-2	Must be within Distribution Code limits	Export to grid
Nov-22	PRESTON	LV	Solar PV	SG50CX SUNGROW POWER SUPPLY CO LTD	100	0.217	1000kVA	Figure 2-1	Table 2-2	Must be within Distribution Code limits	Export to grid

Nov-22	MACLEOD	LV	Solar PV and Battery	PRIMO 8.2-1 FRONIUS AUSTRALIA PTY LTD TESLA POWERWALL 2	13.2	0.029	300kVA	Figure 2-1	Table 2-2	Must be within Distribution Code limits	Export to grid
Nov-22	SOMERTON	LV	Solar PV	SG110CX SUNGROW POWER SUPPLY CO LTD	110	0.238	1000kVA	Figure 2-1	Table 2-2	Must be within Distribution Code limits	Export to grid
Nov-22	TRAVANCORE	LV	Solar PV	SYMO 20.0-3-M FRONIUS AUSTRALIA PTY LTD	40	0.087	315kVA	Figure 2-1	Table 2-2	Must be within Distribution Code limits	Export to grid
Nov-22	ROXBURGH PARK	LV	Solar PV	SG110CX SUNGROW POWER SUPPLY CO LTD	220	0.476	1000kVA	Figure 2-1	Table 2-2	Must be within Distribution Code limits	Export to grid
Nov-22	TULLAMARINE	LV	Solar PV	TAURO ECO 100-3-D TAURO ECO 50-3-D FRONIUS AUSTRALIA PTY LTD	150	0.325	1500kVA	Figure 2-1	Table 2-2	Must be within Distribution Code limits	Export to grid
Nov-22	TULLAMARINE	LV	Solar PV	TAURO ECO 100-3-D FRONIUS AUSTRALIA PTY LTD	200	0.433	2000kVA	Figure 2-1	Table 2-2	Must be within Distribution Code limits	Export to grid
Nov-22	SOMERTON	LV	Solar PV	SG110CX SUNGROW POWER SUPPLY CO LTD	100	0.217	500kVA	Figure 2-1	Table 2-2	Must be within Distribution Code limits	Export to grid
Dec-22	CRAIGIEBURN	LV	Solar PV	SUN2000-29.9KTL-M3 HUAWEI TECHNOLOGIES CO LTD	59.8	0.129	500kVA	Figure 2-1	Table 2-2	Must be within Distribution Code limits	Export to grid
Dec-22	KEILOR EAST	LV	Solar PV	ECO 27.0-3-S FRONIUS AUSTRALIA PTY LTD	54	0.117	300kVA	Figure 2-1	Table 2-2	Must be within Distribution Code limits	Export to grid
Dec-22	SOMERTON	LV	Solar PV	SG110CX SUNGROW POWER SUPPLY CO LTD	110	0.238	1500kVA	Figure 2-1	Table 2-2	Must be within Distribution Code limits	Export to grid
Dec-22	TOTTENHAM	LV	Solar PV	SG30CX, SG50CX SUNGROW POWER SUPPLY CO LTD	79.9	0.173	500kVA	Figure 2-1	Table 2-2	Must be within Distribution Code limits	Export to grid
Dec-22	CAMPBELLFIELD	LV	Solar PV	SYMO 20.0-3-M FRONIUS AUSTRALIA PTY LTD	100	0.217	1000kVA	Figure 2-1	Table 2-2	Must be within Distribution Code limits	Export to grid
Dec-22	BULLA	LV	Solar PV and Battery	IQ7A-72-2-INT ENPHASE ENERGY AUSTRALIA PTY LTD	14.772	0.032	315kVA	Figure 2-1	Table 2-2	Must be within Distribution Code limits	Export to grid
Jan-23	CAMPBELLFIELD	LV	Solar PV	GW80K-MT GOODWE TECHNOLOGIES CO LTD	80	0.173	500 kVA	Figure 2-1	Table 2-2	Must be within Distribution Code limits	Export to grid

Feb-23	COOLAROO	LV	Solar PV	SG50CX SUNGROW POWER SUPPLY CO LTD	100	0.217	500kVA	Figure 2-1	Table 2-2	Must be within Distribution Code limits	Export to grid
Feb-23	BROADMEADOWS	LV	Solar PV	TAURO ECO 50-3-D , ECO 25.0-3-S FRONIUS AUSTRALIA PTY LTD	75	0.162	1000kVA	Figure 2-1	Table 2-2	Must be within Distribution Code limits	Export to grid
Feb-23	COBURG	LV	Solar PV	SG50CX SUNGROW POWER SUPPLY CO LTD	50	0.108	500kVA	Figure 2-1	Table 2-2	Must be within Distribution Code limits	Export to grid
Feb-23	MELBOURNE AIRPORT	LV	Solar PV	STP 110-60 SMA CORE2 SMA SOLAR TECHNOLOG AG	110	0.238	500kVA	Figure 2-1	Table 2-2	Must be within Distribution Code limits	Export to grid
Feb-23	FAWKNER	LV	Solar PV and Battery	AC POWERWALL TESLA MOTORS AUSTRALIA PTY LTD	5	0.011	500kVA	Figure 2-1	Table 2-2	Must be within Distribution Code limits	Export to grid
Feb-23	NEWPORT	LV	Solar PV	SUN2000-100KTL-M1 HUAWEI TECHNOLOGIES CO LTD	100	0.217	300kVA	Figure 2-1	Table 2-2	Must be within Distribution Code limits	Export to grid
Mar-23	TULLAMARINE	LV	Solar PV	SG50CX, SG30CX, SUNGROW POWER SUPPLY CO LTD	79.9	0.173	500kVA	Figure 2-1	Table 2-2	Must be within Distribution Code limits	Export to grid
Mar-23	COOLAROO	LV	Solar PV	SG50CX SUNGROW POWER SUPPLY CO LTD	50	0.108	500kVA	Figure 2-1	Table 2-2	Must be within Distribution Code limits	Export to grid
Mar-23	CAMPBELLFIELD	HV (22kV)	Solar PV	SG110CX SUNGROW POWER SUPPLY CO LTD	110	0.004	-	Figure 2-1	Table 2-2	Must be within Distribution Code limits	Export to grid
Mar-23	COOLAROO	LV	Solar PV	SG50CX SUNGROW POWER SUPPLY CO LTD	50	0.108	300kVA	Figure 2-1	Table 2-2	Must be within Distribution Code limits	Export to grid
Mar-23	COBURG NORTH	LV	Solar PV	ECO 25.0-3-S, SYMO 20.0-3-M FRONIUS AUSTRALIA PTY LTD	70	0.152	1000kVA	Figure 2-1	Table 2-2	Must be within Distribution Code limits	Export to grid
Mar-23	YARRAVILLE	LV	Solar PV and Battery	PRIMO 6.0-1 FRONIUS AUSTRALIA PTY LTD , AC POWERWALL TESLA MOTORS AUSTRALIA PTY LTD	11	0.024	500kVA	Figure 2-1	Table 2-2	Must be within Distribution Code limits	Export to grid
Mar-23	BROADMEADOWS	LV	Solar PV	SG110CX SUNGROW POWER SUPPLY CO LTD	110	0.238	500kVA	Figure 2-1	Table 2-2	Must be within Distribution Code limits	Export to grid

Mar-23	COBURG	LV	Solar PV	ECO 27.0-3-S, SYMO 20.0-3-M FRONIUS AUSTRALIA PTY LTD	47	0.102	315kVA	Figure 2-1	Table 2-2	Must be within Distribution Code limits	Export to grid
Mar-23	TULLAMARINE	LV	Solar PV	SG110CX SUNGROW POWER SUPPLY CO LTD	110	0.238	500kVA	Figure 2-1	Table 2-2	Must be within Distribution Code limits	Export to grid
Mar-23	FAWKNER	LV	Solar PV	SG50CX SUNGROW POWER SUPPLY CO LTD	50	0.108	300 KVA	Figure 2-1	Table 2-2	Must be within Distribution Code limits	Export to grid
Apr-23	MARIBYRNONG	LV	Solar PV	TAURO ECO 100-3-D FRONIUS AUSTRALIA PTY LTD	100	0.217	1000 kVA	Figure 2-1	Table 2-2	Must be within Distribution Code limits	Export to grid
Apr-23	BROOKLYN	LV	Solar PV	ECO 25.0-3-S FRONIUS AUSTRALIA PTY LTD	100	0.217	500kVA	Figure 2-1	Table 2-2	Must be within Distribution Code limits	Export to grid
Apr-23	GREENVALE	LV	Solar PV and Battery	ECO 25.0-3-S FRONIUS AUSTRALIA PTY LTD, AC POWERWALL TESLA MOTORS AUSTRALIA PTY LTD	90	0.195	315kVA	Figure 2-1	Table 2-2	Must be within Distribution Code limits	Export to grid
May-23	CAMPBELLFIELD	LV	Solar PV	SE30K SOLAR EDGE TECHNOLOGIES	60.48	0.131	500 kVA	Figure 2-1	Table 2-2	Must be within Distribution Code limits	Export to grid
May-23	WEST FOOTSCRAY	LV	Solar PV	SG110CX, SG30CX SUNGROW POWER SUPPLY CO LTD	169.8	0.368	1000kVA	Figure 2-1	Table 2-2	Must be within Distribution Code limits	Export to grid
May-23	DIGGERS REST	LV	Solar PV and Battery	Primo 5.0-1 FRONIUS AUSTRALIA PTY LTD, AC POWERWALL TESLA MOTORS AUSTRALIA PTY LTD	15	0.032	315kVA	Figure 2-1	Table 2-2	Must be within Distribution Code limits	Export to grid
May-23	ESSENDON	LV	Solar PV and battery	PRIMO GEN24 6.0 FRONIUS AUSTRALIA PTY LTD, AC POWERWALL TESLA INC	11	0.024	500kVA	Figure 2-1	Table 2-2	Must be within Distribution Code limits	Export to grid
May-23	CRAIGIEBURN	LV	Solar PV	SYMO 20.0-3-M, ECO 27.0-3-S FRONIUS AUSTRALIA PTY LTD	47	0.102	315kVA	Figure 2-1	Table 2-2	Must be within Distribution Code limits	Export to grid
May-23	FOOTSCRAY	LV	Solar PV	SG110CX SUNGROW POWER SUPPLY CO LTD	220	0.476	750kVA	Figure 2-1	Table 2-2	Must be within Distribution Code limits	Export to grid

May-23	ASCOT VALE	LV	Solar PV	SG20RT, SG30CX SUNGROW POWER SUPPLY CO LTD.	159.6	0.346	1000kVA	Figure 2-1	Table 2-2	Must be within Distribution Code limits	Export to grid
May-23	MICKLEHAM	LV	Solar PV	SG110CX (AS4777-2 2020) SUNGROW POWER SUPPLY CO LTD	330	0.714	1500kVA	Figure 2-1	Table 2-2	Must be within Distribution Code limits	Export to grid
Jun-23	MOONEE PONDS	LV	Solar PV	SG110CX SUNGROW POWER SUPPLY CO LTD	110	0.238	1500kVA	Figure 2-1	Table 2-2	Must be within Distribution Code limits	Export to grid
Jun-23	MOONEE PONDS	LV	Solar PV	S5-GC50K, S5-GC30K-AU GINLONG TECHNOLOGIES CO LTD	80	0.173	500kVA	Figure 2-1	Table 2-2	Must be within Distribution Code limits	Export to grid
Jun-23	SOMERTON	LV	Solar PV	SG110CX, SG15RT SUNGROW POWER SUPPLY CO LTD	235	0.509	2000kVA	Figure 2-1	Table 2-2	Must be within Distribution Code limits	Export to grid
Jun-23	WEST HEIDELBERG	LV	Solar PV	SYMO 20.0-3-M, SYMO 12.5-3-M FRONIUS INTERNATIONAL GMBH	72.5	0.157	300kVA	Figure 2-1	Table 2-2	Must be within Distribution Code limits	Export to grid
Jun-23	ROXBURGH PARK	LV	Solar PV	SOLIS-30K-5G-AU GINLONG TECHNOLOGIES CO LTD	60	0.130	300kVA	Figure 2-1	Table 2-2	Must be within Distribution Code limits	Export to grid
Jun-23	AIRPORT WEST	LV	Solar PV	SG50CX SUNGROW POWER SUPPLY CO LTD	50	0.108	300kVA	Figure 2-1	Table 2-2	Must be within Distribution Code limits	Export to grid
Jun-23	CAMPBELLFIELD	LV	Solar PV	SG110CX SUNGROW POWER SUPPLY CO LTD	110	0.238	2000kVA	Figure 2-1	Table 2-2	Must be within Distribution Code limits	Export to grid
Jun-23	CRAIGIEBURN	LV	Solar PV	SYMO 20.0-3-M, SYMO 15.0-3-M FRONIUS AUSTRALIA PTY LTD	35	0.076	1500kVA	Figure 2-1	Table 2-2	Must be within Distribution Code limits	Export to grid
Jun-23	TULLAMARINE	LV	Solar PV	STP 50-41, STP10.0-3AV-40 SMA AUSTRALIA PTY LTD	60	0.130	500kVA	Figure 2-1	Table 2-2	Must be within Distribution Code limits	Export to grid
Jun-23	HEIDELBERG HEIGHTS	LV	Solar PV and battery	GW8500-MS GOODWE TECHNOLOGIES CO LTD, SONNEN BATTERIE EVO SONNEN AUSTRALIA PTY LTD	13.5	0.029	300kVA	Figure 2-1	Table 2-2	Must be within Distribution Code limits	Export to grid
Jun-23	GREENVALE	LV	Solar PV and Battery	GW10K-MS, GW5048D - ES, GOODWE TECHNOLOGIES CO LTD	15	0.032	500kVA	Figure 2-1	Table 2-2	Must be within Distribution Code limits	Export to grid
Jun-23	CRAIGIEBURN	LV	Solar PV	ECO 27.0-3-S FRONIUS AUSTRALIA PTY LTD	54	0.117	300kVA	Figure 2-1	Table 2-2	Must be within Distribution Code limits	Export to grid

Jun-23	COBURG	LV	Solar PV	SG50CX, SH10RT SUNGROW POWER SUPPLY CO LTD	70	0.152	500kVA	Figure 2-1	Table 2-2	Must be within Distribution Code limits	Export to grid
Jul-23	TULLAMARINE	LV	Solar PV	SG110CX SUNGROW POWER SUPPLY CO LTD	110	0.238	500kVA	Figure 2-1	Table 2-2	Must be within Distribution Code limits	Export to grid
Jul-23	PRESTON	LV	Solar PV	SG110CX SUNGROW POWER SUPPLY CO LTD	330	0.714	500 kVA	Figure 2-1	Table 2-2	Must be within Distribution Code limits	Export to grid
Jul-23	CRAIGIEBURN	LV	Solar PV	SG110CX SUNGROW POWER SUPPLY CO LTD	110	0.238	1000kVA	Figure 2-1	Table 2-2	Must be within Distribution Code limits	Export to grid
Jul-23	RESERVOIR	LV	Solar PV	ECO 25.0-3-S FRONIUS AUSTRALIA PTY LTD	100	0.217	500kVA	Figure 2-1	Table 2-2	Must be within Distribution Code limits	Export to grid
Aug-23	PRESTON	LV	Solar PV	SG110CX SUNGROW POWER SUPPLY CO LTD	110	0.238	500kVA	Figure 2-1	Table 2-2	Must be within Distribution Code limits	Export to grid
Aug-23	GLENROY	LV	Solar PV and Battery	PRIMO 8.2-1 FRONIUS AUSTRALIA PTY LTD, AC POWERWALL TESLA INC	13.2	0.029	300 kVA	Figure 2-1	Table 2-2	Must be within Distribution Code limits	Export to grid
Sep-23	PRESTON	LV	Solar PV and Battery	ESI 6K-S1, ESI 5K-S1-A, 5K SHENZHEN SOFARSOLAR CO LTD	11	0.024	500kVA	Figure 2-1	Table 2-2	Must be within Distribution Code limits	Export to grid
Sep-23	COOLAROO	LV	Solar PV	ECO 25.0-3-S FRONIUS AUSTRALIA PTY LTD	50	0.108	1000kVA	Figure 2-1	Table 2-2	Must be within Distribution Code limits	Export to grid
Sep-23	CAMPBELLFIELD	LV	Solar PV	SE100K, SE66.6K SOLAREEDGE TECHNOLOGIES LTD	166.6	0.361	500kVA	Figure 2-1	Table 2-2	Must be within Distribution Code limits	Export to grid
Sep-23	CAMPBELLFIELD	LV	Solar PV	SG50CX, SG30CX SUNGROW POWER SUPPLY CO LTD	79.9	0.173	300kVA	Figure 2-1	Table 2-2	Must be within Distribution Code limits	Export to grid

Sep-23	ASCOT VALE	LV	Solar PV	SG110CX SUNGROW POWER SUPPLY CO LTD	110	0.238	400kVA	Figure 2-1	Table 2-2	Must be within Distribution Code limits	Export to grid
Oct-23	CAMPBELLFIELD	LV	Solar PV	SG110CX SUNGROW POWER SUPPLY CO LTD	220	0.476	750kVA	Figure 2-1	Table 2-2	Must be within Distribution Code limits	Export to grid
Oct-23	GLENROY	LV	Solar PV	SG30CX SUNGROW POWER SUPPLY CO LTD	89.7	0.194	500kVA	Figure 2-1	Table 2-2	Must be within Distribution Code limits	Export to grid
Oct-23	TULLAMARINE	LV	Solar PV	SG110CX SUNGROW POWER SUPPLY CO LTD	110	0.238	750kVA	Figure 2-1	Table 2-2	Must be within Distribution Code limits	Export to grid
Oct-23	MICKLEHAM	LV	Solar PV	SG110CX SUNGROW POWER SUPPLY CO LTD	110	0.238	1500kVA	Figure 2-1	Table 2-2	Must be within Distribution Code limits	Export to grid
Oct-23	PRESTON	LV	Solar PV and battery	PRIMO GEN24 6.0 FRONIUS AUSTRALIA PTY LTD, SONNENBATTERIE EVO SONNEN AUSTRALIA PTY LTD	7	0.030	300kVA	Figure 2-1	Table 2-2	Must be within Distribution Code limits	Export to grid
Oct-23	BELLFIELD	LV	Solar PV	S5-GC50K, SG20RT SUNGROW POWER SUPPLY CO LTD	70	0.152	500kVA	Figure 2-1	Table 2-2	Must be within Distribution Code limits	Export to grid
Oct-23	PRESTON	LV	Solar PV	SG110CX SUNGROW POWER SUPPLY CO LTD	220	0.476	315kVA	Figure 2-1	Table 2-2	Must be within Distribution Code limits	Export to grid
Oct-23	DIGGERS REST	LV	Solar PV and Battery	PRIMO 8.2-1 FRONIUS AUSTRALIA PTY LTD, AC POWERWALL, TESLA INC	13.2	0.029	300kVA	Figure 2-1	Table 2-2	Must be within Distribution Code limits	Export to grid
Oct-23	CAMPBELLFIELD	LV	Solar PV	SYMO 20.0-3-M, SYMO 10.0-3-M FRONIUS AUSTRALIA PTY LTD	50	0.108	315kVA	Figure 2-1	Table 2-2	Must be within Distribution Code limits	Export to grid
Oct-23	CAMPBELLFIELD	LV	Solar PV	GW80K-MT GOODWE TECHNOLOGIES CO LTD	80	0.173	500kVA	Figure 2-1	Table 2-2	Must be within Distribution Code limits	Export to grid
Oct-23	RESERVOIR	LV	Solar PV and Battery	GW50KN-MT, GW50K- BTC GOODWE TECHNOLOGIES CO LTD	100	0.433	500kVA	Figure 2-1	Table 2-2	Must be within Distribution Code limits	Export to grid

Nov-23	CRAIGIEBURN	LV	Solar PV	TAURO ECO 100-3-D, TAURO ECO 50-3-D, SYMO 12.5-3-M FRONIUS AUSTRALIA PTY LTD	262.5	0.568	1500kVA	Figure 2-1	Table 2-2	Must be within Distribution Code limits	Export to grid
Nov-23	SUNBURY	LV	Solar PV	S5-GC50K, SG30CX SUNGROW POWER SUPPLY CO LTD	79.9	0.173	100kVA	Figure 2-1	Table 2-2	Must be within Distribution Code limits	Export to grid
Nov-23	KEILOR EAST	LV	Solar PV	SYMO 10.0-3-M, SYMO 7.0-3-M, SYMO 12.5-3- M, SYMO 6.0-3-M, SYMO 5.0-3 FRONIUS AUSTRALIA PTY LTD	60.5	0.131	500 KVA	Figure 2-1	Table 2-2	Must be within Distribution Code limits	Export to grid
Nov-23	PRESTON	LV	solar PV	FRONIUS ECO 25.0-3-S FRONIUS AUSTRALIA PTY LTD	100	0.217	600kVA	Figure 2-1	Table 2-2	Must be within Distribution Code limits	Export to grid
Nov-23	RESERVOIR	LV	Solar PV	ECO 100-3-P FRONIUS AUSTRALIA PTY LTD	200	0.433	1000kVA	Figure 2-1	Table 2-2	Must be within Distribution Code limits	Export to grid
Nov-23	BROADMEADOWS	LV	Solar PV	TAURO 50-3-D FRONIUS AUSTRALIA PTY LTD	300	0.650	1500kVA	Figure 2-1	Table 2-2	Must be within Distribution Code limits	Export to grid
Dec-23	FAIRFIELD	LV	Solar PV	TAURO ECO 100-3-P, ECO 27.0-3-S, SYMO 15.0-3-M FRONIUS AUSTRALIA PTY LTD	196	0.424	500kVA	Figure 2-1	Table 2-2	Must be within Distribution Code limits	Export to grid
Dec-23	FOOTSCRAY	LV	Solar PV	SG50CX SUNGROW POWER SUPPLY CO LTD	50	0.108	500kVA	Figure 2-1	Table 2-2	Must be within Distribution Code limits	Export to grid
Dec-23	ASCOT VALE	LV	Solar PV	SG110CX SUNGROW POWER SUPPLY CO LTD	220	0.476	500kVA	Figure 2-1	Table 2-2	Must be within Distribution Code limits	Export to grid

Note 1: Inverter fault contribution taken as 1.5 * inverter rated current

Figure 2–1: Single line diagram of typical solar PV connection (30 kVA – 5000 kVA)

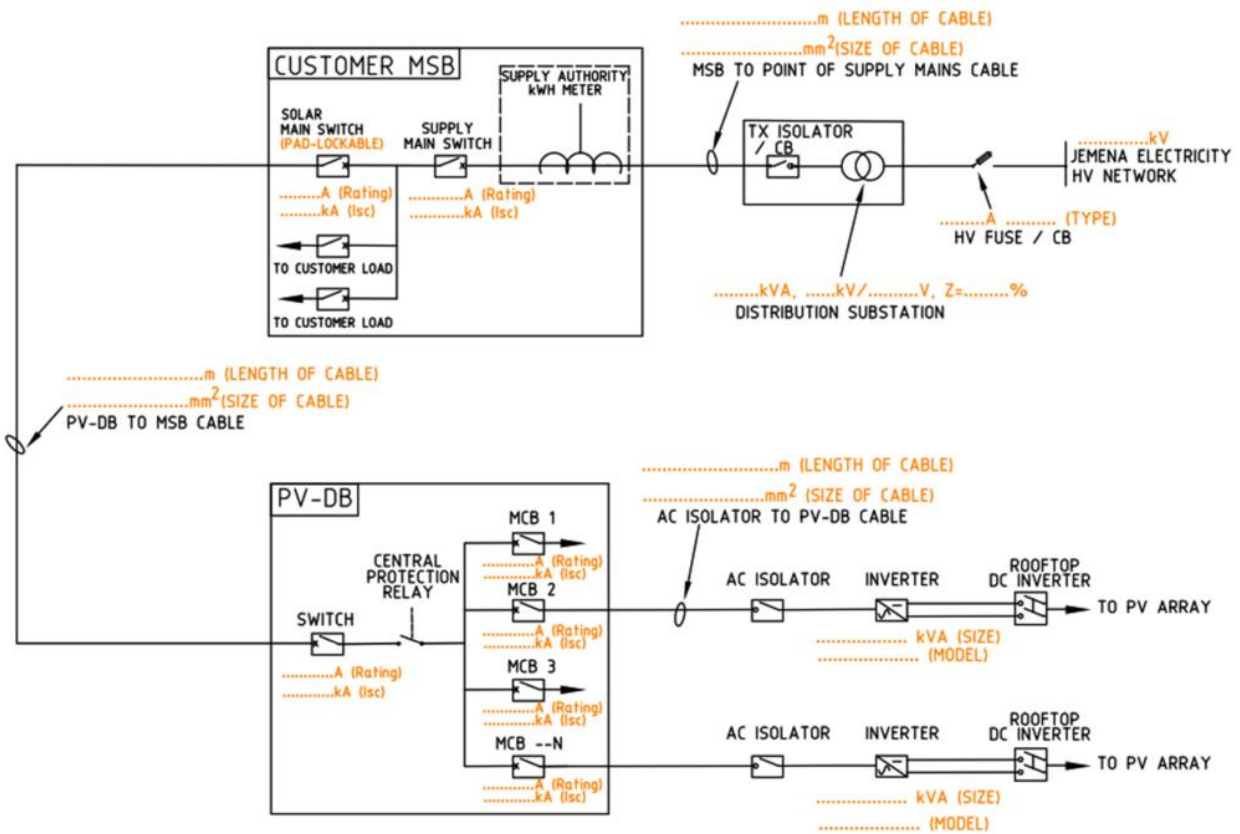


Table 2–2: Protection requirements for solar PV connection (30 kVA – 5000 kVA)

Protection Function	Inverter	Central Protection Relay
Under voltage (V<)	✓	✓
Over voltage 1 (V>)	✓	✓
Over voltage 2 (V>>)	✓	
Sustained over voltage (10 min average)	✓	✓
Under frequency (f<)	✓	✓
Over frequency (f>)	✓	✓
Reconnection delay	✓	✓
Vector shift		✓
Rate of change of frequency (ROCOF)		✓

Table 2–3: Voltage response mode requirements for solar PV connection (30 kVA – 5000 kVA)

Voltage Reference	Volt-Watt settings	Volt-Var settings
V1	✓	✓
V2	✓	✓
V3	✓	✓
V4	✓	✓