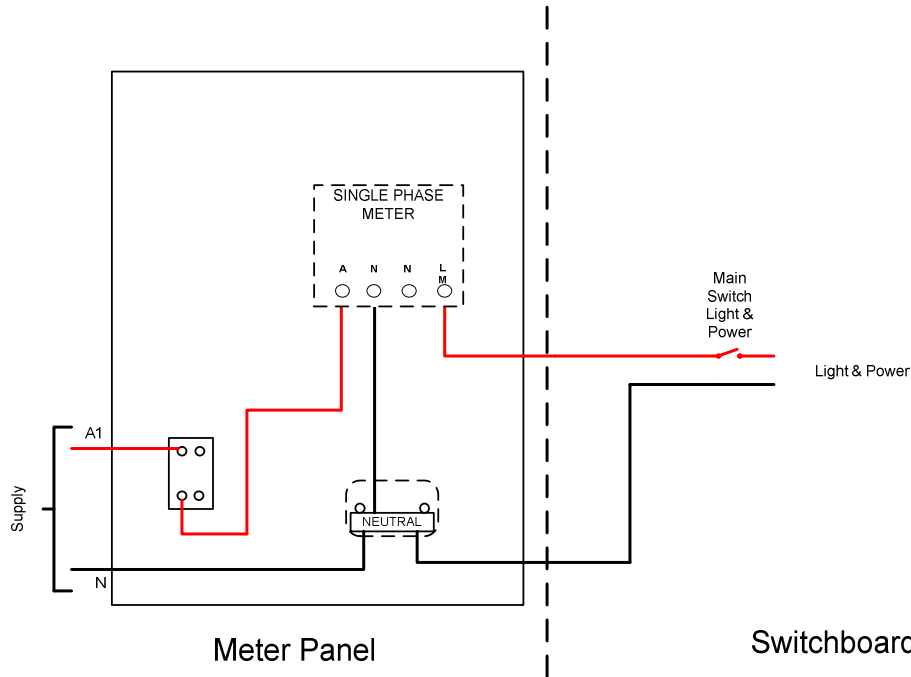


## Jemena drawing: Document No - ELE SP 0001/Section 2.1

### Single Phase without Controlled Load



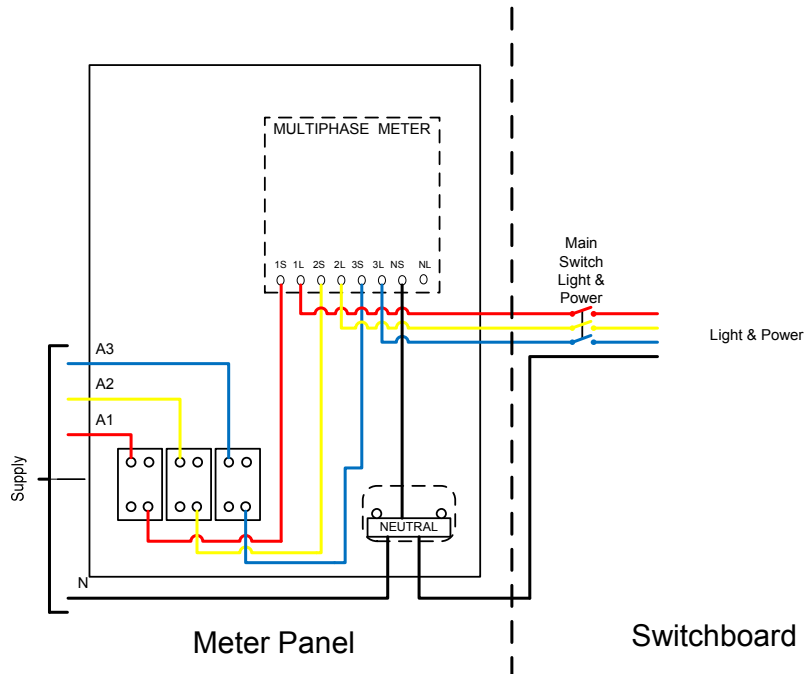
#### Notes

- Refer to SIR 2014 for panel size
- Load carrying conductors not less than 4mm<sup>2</sup> or greater than 35mm<sup>2</sup>
- All metering neutrals to be black colour 4mm<sup>2</sup> or 6 mm<sup>2</sup> with minimum 7 stranded conductors.
- Not less than 18 strand for 25 & 35mm<sup>2</sup> conductors
- Refer to SIR's for metering obligations
- Comply with Electrical Safety (Installations) Regulations 2009 and AS/NZS 3000
- Meter panel fuse not required for an overhead supply.
- Wiring diagram applicable for Solar

Any queries please contact Jemena compliance officer on 1300 855 824

## Jemena drawing: Document No - ELE SP 0001/Section 2.2

### Multiphase without Controlled Load



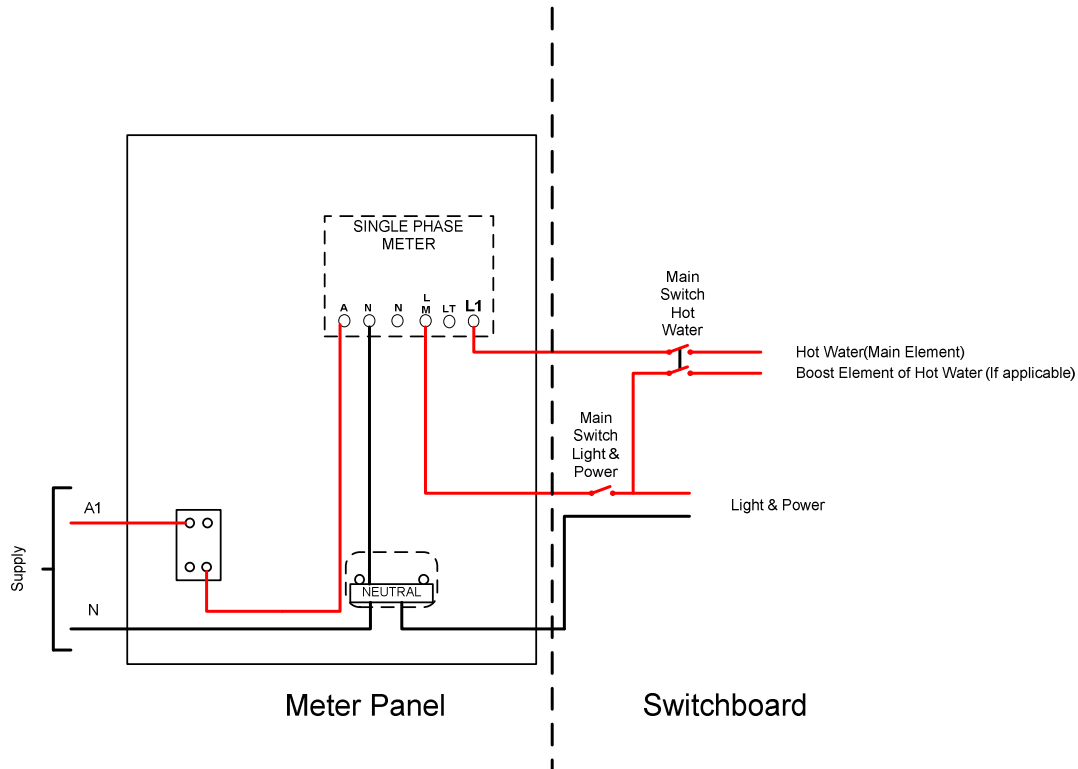
#### Notes

- Refer to SIR 2014 for panel size
- Load carrying conductors not less than 4mm<sup>2</sup> or greater than 35mm<sup>2</sup>
- All metering neutrals to be black colour 4mm<sup>2</sup> or 6 mm<sup>2</sup> with minimum 7 stranded conductors.
- Not less than 18 strand for 25 & 35mm<sup>2</sup> conductors
- Refer to SIR's for metering obligations
- Comply with Electrical Safety (Installations) Regulations 2009 and AS/NZS 3000
- Metering diagram is applicable for 2 or 3 phase load. For 2 phase loads – Red and Blue phase is preferred.
- All metering neutrals to be 4mm<sup>2</sup> minimum stranded conductors.
- Wiring diagram applicable for Solar

Any queries please contact Jemena compliance officer on 1300 855 824

## Jemena drawing: Document No - ELE SP 0001/Section 2.3

### Single Phase with Controlled Load (Hot Water)



#### Notes

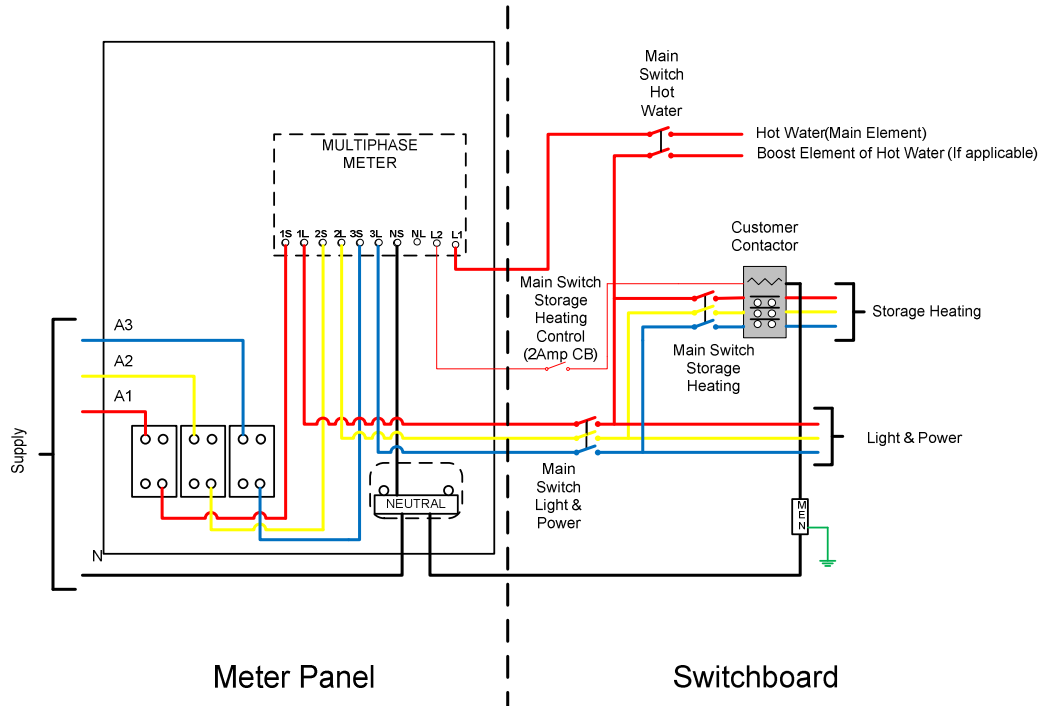
- Refer to SIR 2014 for panel size
- L1 - 30A Load Control (Hot Water)
- Load carrying conductors not less than 4mm<sup>2</sup> or greater than 35mm<sup>2</sup>
- All metering neutrals to be black colour 4mm<sup>2</sup> or 6 mm<sup>2</sup> with minimum 7 stranded conductors.
- Not less than 18 strand for 25 & 35mm<sup>2</sup> conductors
- Refer to SIR's for metering obligations
- Comply with Electrical Safety (Installations) Regulations 2009 and AS/NZS 3000
- Meter panel fuse not required for an overhead supply.
- Off Peak controlled load is hot water
- Wiring diagram applicable for Solar

Existing Customer with dedicated off peak hot water:

Please contact Jemena compliance officer on 1300 855 824

## Jemena drawing: Document No - ELE SP 0001/Section 2.4

### Multi Phase General Supply with Controlled Load(s)



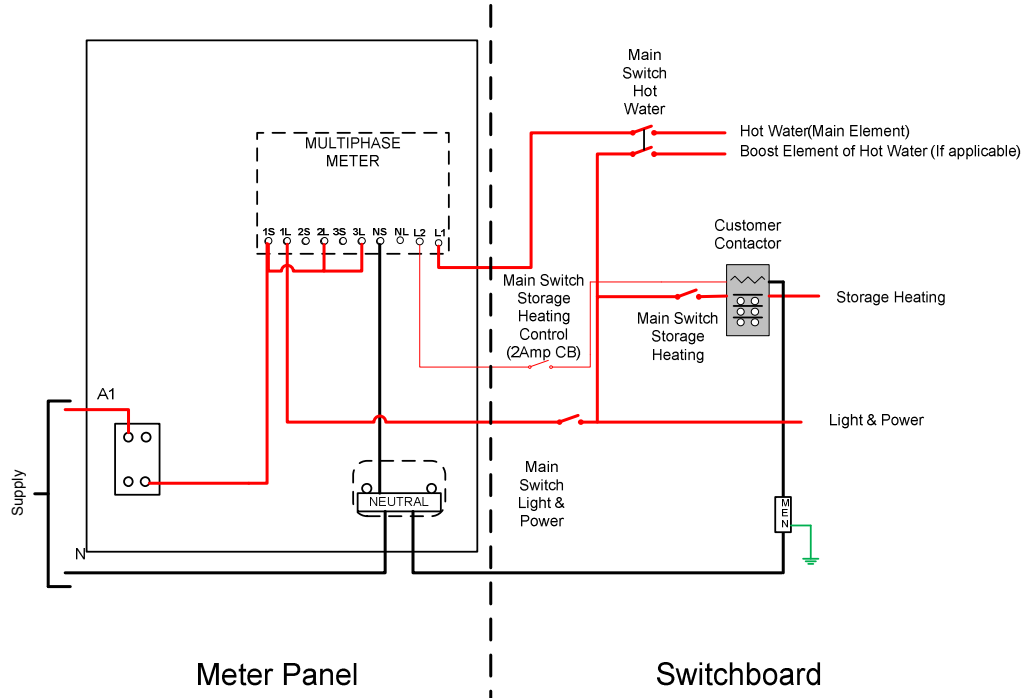
#### Notes

- Refer to SIR 2014 for panel size
- L1 – 30A Load Control (Hot Water)
- L2 – Maximum 2A Load Control (Storage Heating)
- 2.5mm<sup>2</sup> with 7 strands for conductors to control customer contactor
- Load carrying conductors not less than 4mm<sup>2</sup> or greater than 35mm<sup>2</sup>
- All metering neutrals to be black colour 4mm<sup>2</sup> or 6 mm<sup>2</sup> with minimum 7 stranded conductors.
- Not less than 18 strand for 25 & 35mm<sup>2</sup> conductors
- Refer to SIR's for metering obligations
- Comply with Electrical Safety (Installations) Regulations 2009 and AS/NZS 3000
- Customer needs to provide 2A circuit breaker as a Main Switch and their load control contactor within customer's switchboard
- Meter panel fuse not required for an overhead supply.
- Off Peak controlled load only includes single phase hot water & single or multi-phase storage heating
- Wiring diagram applicable for Solar
- Metering diagram is applicable for 2 or 3 phase load. For 2 phase loads – Red and Blue phase is preferred.

*Any queries please contact Jemena compliance officer on 1300 855 824*

## Jemena drawing: Document No - ELE SP 0001/Section 2.5

### Single Phase General Supply with Controlled Load(s) – Storage heating with or without Hot Water



#### Notes

- Refer to SIR 2014 for panel size
- L1 – 30A Load Control (Hot Water)
- L2 – Maximum 2A Load Control (Storage Heating)
- 2.5mm<sup>2</sup> with 7 strands for conductors to control customer contactor
- Terminals need to be bridged for single phase general supply applications with storage heating
- Load carrying conductors not less than 4mm<sup>2</sup> or greater than 35mm<sup>2</sup>
- All metering neutrals to be black colour 4mm<sup>2</sup> or 6 mm<sup>2</sup> with minimum 7 stranded conductors.
- Not less than 18 strand for 25 & 35mm<sup>2</sup> conductors
- Refer to SIR's for metering obligations
- Comply with Electrical Safety (Installations) Regulations 2009 and AS/NZS 3000
- Customer needs to provide 2A circuit breaker as a Main Switch and their load control contactor within customer's switchboard
- Meter panel fuse not required for an overhead supply.
- Off Peak controlled load only includes single phase hot water & single or multi-phase storage heating
- Wiring diagram applicable for Solar
- Metering diagram is applicable for 2 or 3 phase load. For 2 phase loads – Red and Blue phase is preferred.

*Any queries please contact Jemena compliance officer on 1300 855 824*