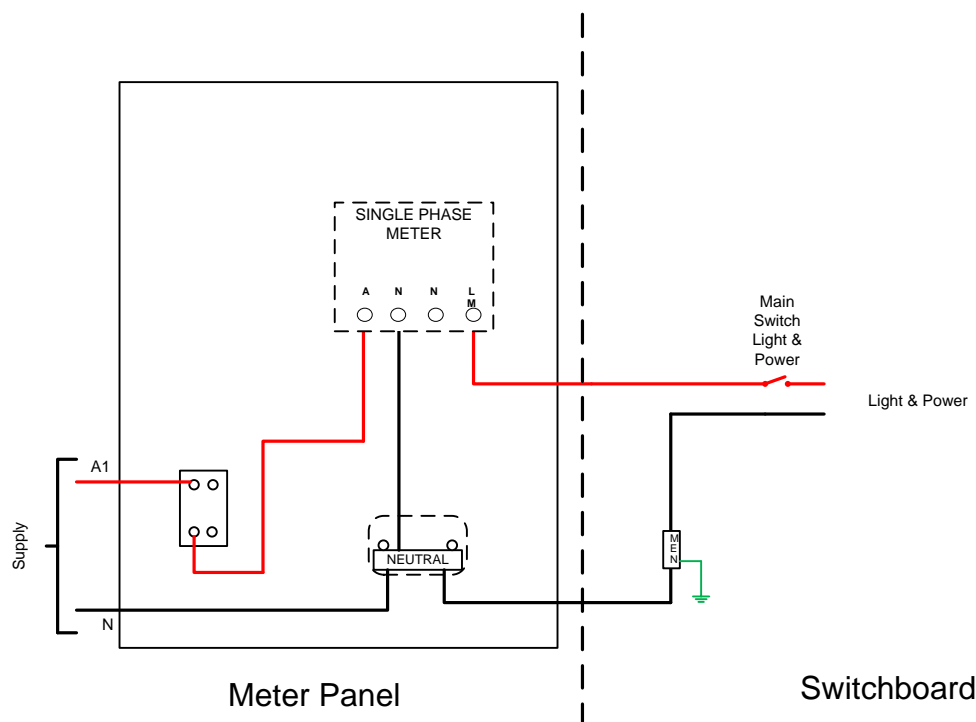


Jemena drawing: Document No - ELE SP 0001/Section 2.1

Single Phase without Controlled Load



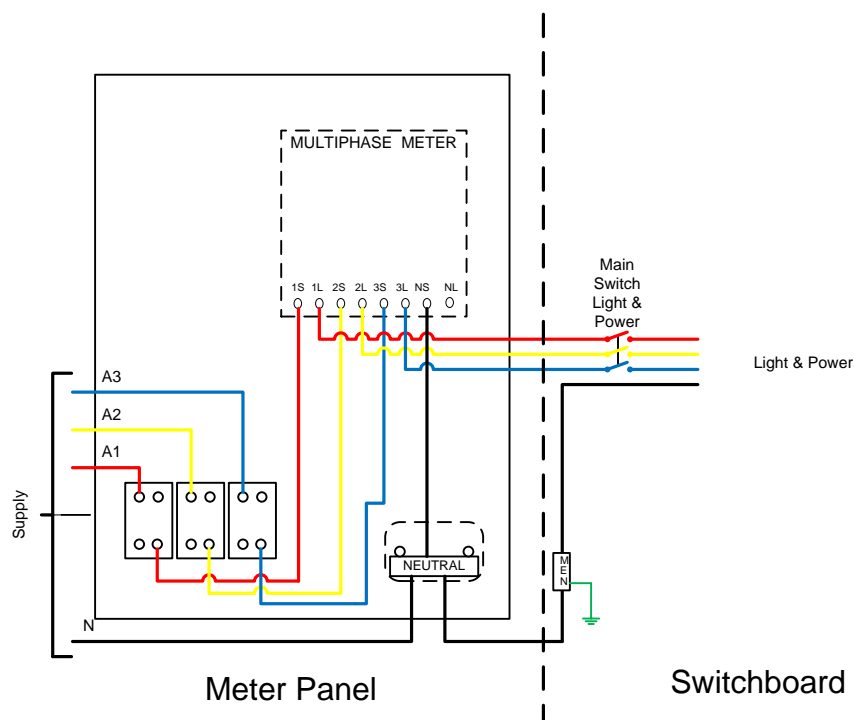
Notes:

- Refer to Victorian Service & Installation Rules (SIR's) for panel size.
- Load carrying conductors not less than 4mm² or greater than 35mm²
- All metering neutrals to be black colour 4mm² or 6 mm² with minimum 7 stranded conductors.
- Not less than 18 strand for 25 & 35mm² conductors.
- Comply with Electrical Safety (Installations) Regulations 2009 and AS/NZS 3000.
- Meter panel fuse not required for an overhead supply.
- Wiring diagram applicable for Solar.

Any queries please contact Jemena compliance officer on 1300 855 824

Jemena drawing: Document No - ELE SP 0001/Section 2.2

Multiphase without Controlled Load



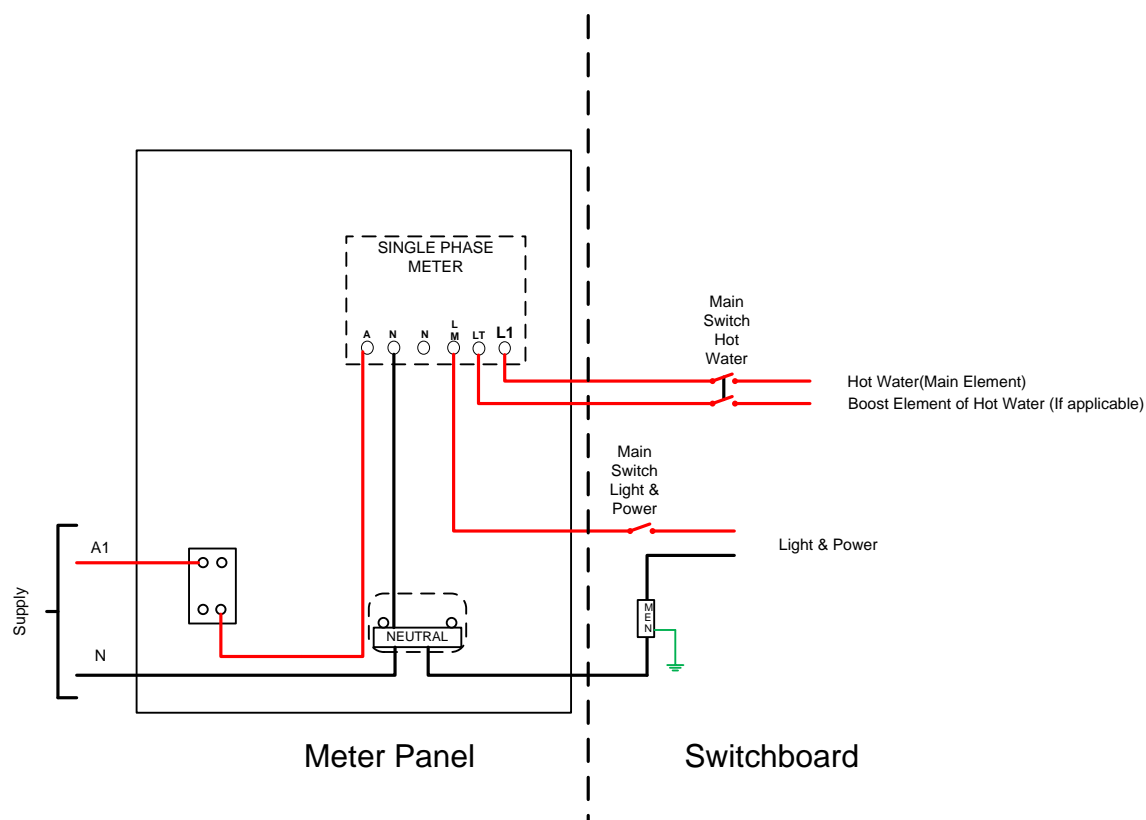
Notes:

- Refer to Victorian Service & Installation Rules (SIR's) for panel size.
- Load carrying conductors not less than 4mm² or greater than 35mm²
- All metering neutrals to be black colour 4mm² or 6 mm² with minimum 7 stranded conductors.
- Not less than 18 strand for 25 & 35mm² conductors.
- Comply with Electrical Safety (Installations) Regulations 2009 and AS/NZS 3000.
- Metering diagram is applicable for 2 or 3 phase load. For 2 phase loads – Red and Blue phase is preferred.
- Wiring diagram applicable for Solar.

Any queries please contact Jemena compliance officer on 1300 855 824

Jemena drawing: Document No - ELE SP 0001/Section 2.3

Single Phase with Controlled Load (Hot Water) or Dedicated Off Peak Hot Water



Notes:

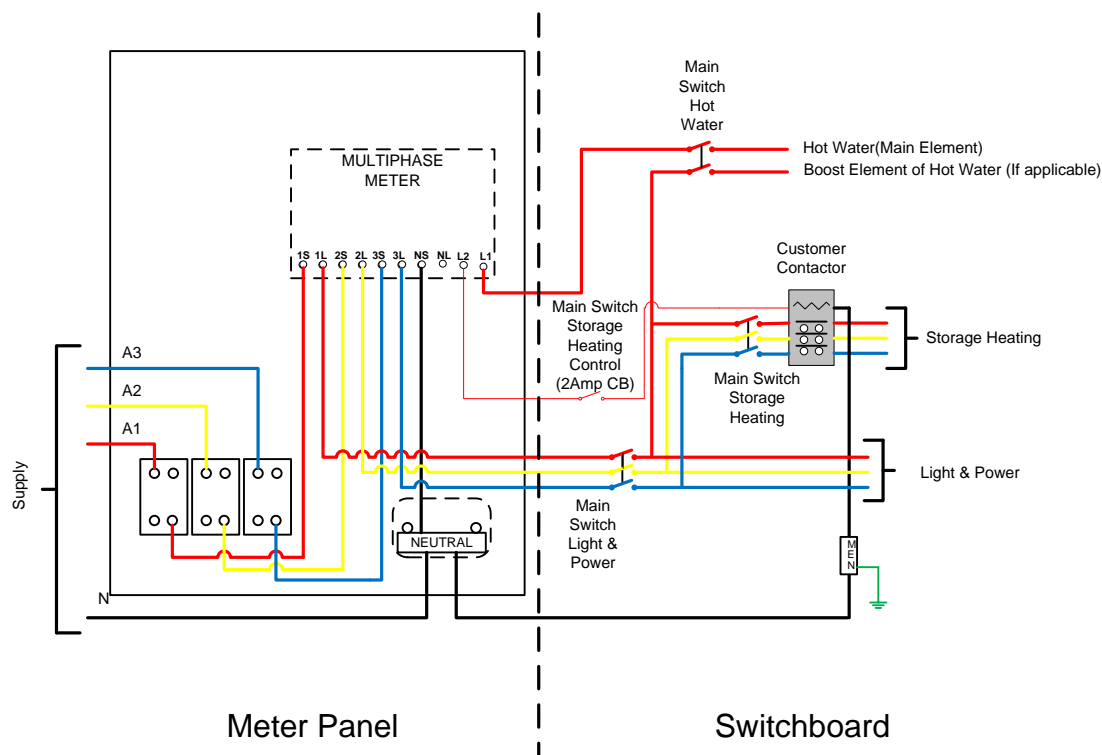
- Refer to Victorian Service & Installation Rules (SIR's) for panel size.
- L1 – 30A Load Control (Hot Water).
- Load carrying conductors not less than 4mm² or greater than 35mm².
- All metering neutrals to be black colour 4mm² or 6 mm² with minimum 7 stranded conductors.
- Not less than 18 strand for 25 & 35mm² conductors.
- Comply with Electrical Safety (Installations) Regulations 2009 and AS/NZS 3000
- Meter panel fuse not required for an overhead supply.
- Off Peak controlled load is hot water.
- Wiring diagram applicable for Solar (With Solar configuration, customer will not get dedicated off peak register in the meter).

Existing Customer with dedicated off peak hot water will require two element register meter

Any queries please contact Jemena compliance officer on 1300 855 824

Jemena drawing: Document No - ELE SP 0001/Section 2.4

Multi-Phase General Supply with Controlled Load(s)



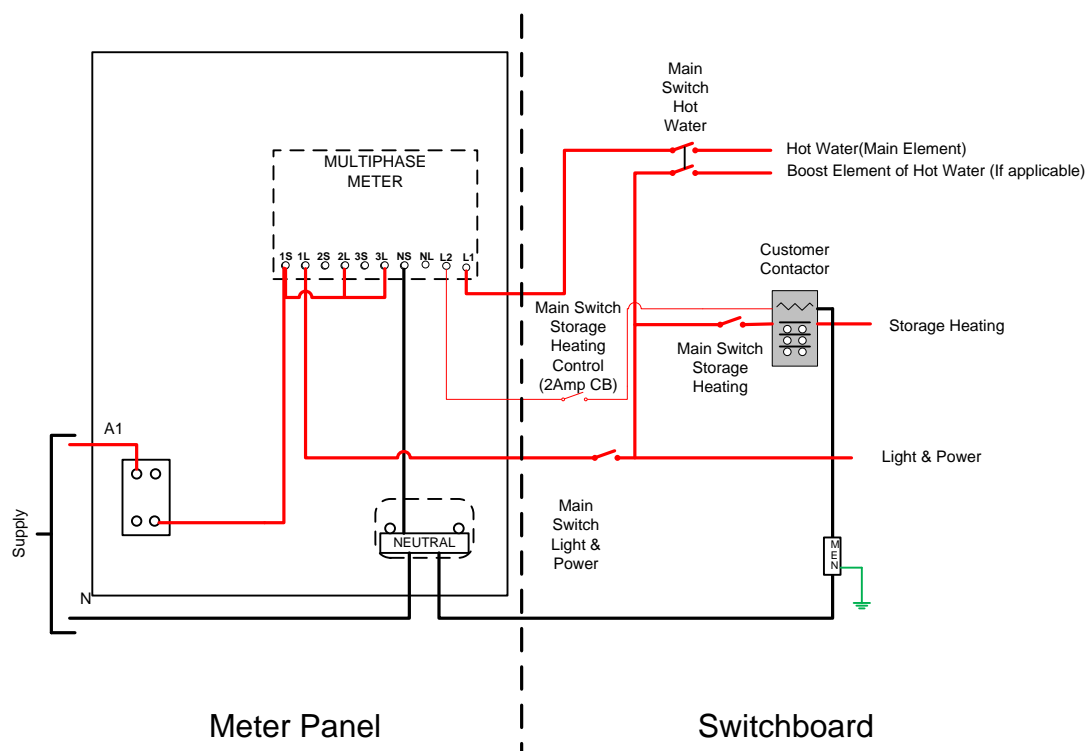
Notes:

- Refer to Victorian Service & Installation Rules (SIR's) for panel size.
- L1 – 30A Load Control (Hot Water).
- L2 – Maximum 2A Load Control (Storage Heating).
- 4mm² with 7 strands for conductors to control customer contactor.
- Load carrying conductors not less than 4mm² or greater than 35mm²
- All metering neutrals to be black colour 4mm² or 6 mm² with minimum 7 stranded conductors.
- Not less than 18 strand for 25 & 35mm² conductors.
- Comply with Electrical Safety (Installations) Regulations 2009 and AS/NZS 3000.
- Customer needs to provide 2A circuit breaker as a Main Switch and their load control contactor within customer's switchboard.
- Meter panel fuse not required for an overhead supply.
- Off Peak controlled load only includes single phase hot water & single or multi-phase storage heating.
- Wiring diagram applicable for Solar.
- Metering diagram is applicable for 2 or 3 phase load. For 2 phase loads – Red and Blue phase is preferred.

Any queries please contact Jemena compliance officer on 1300 855 824

Jemena drawing: Document No - ELE SP 0001/Section 2.5

Single Phase General Supply with Controlled Load(s) – Storage heating with or without Hot Water



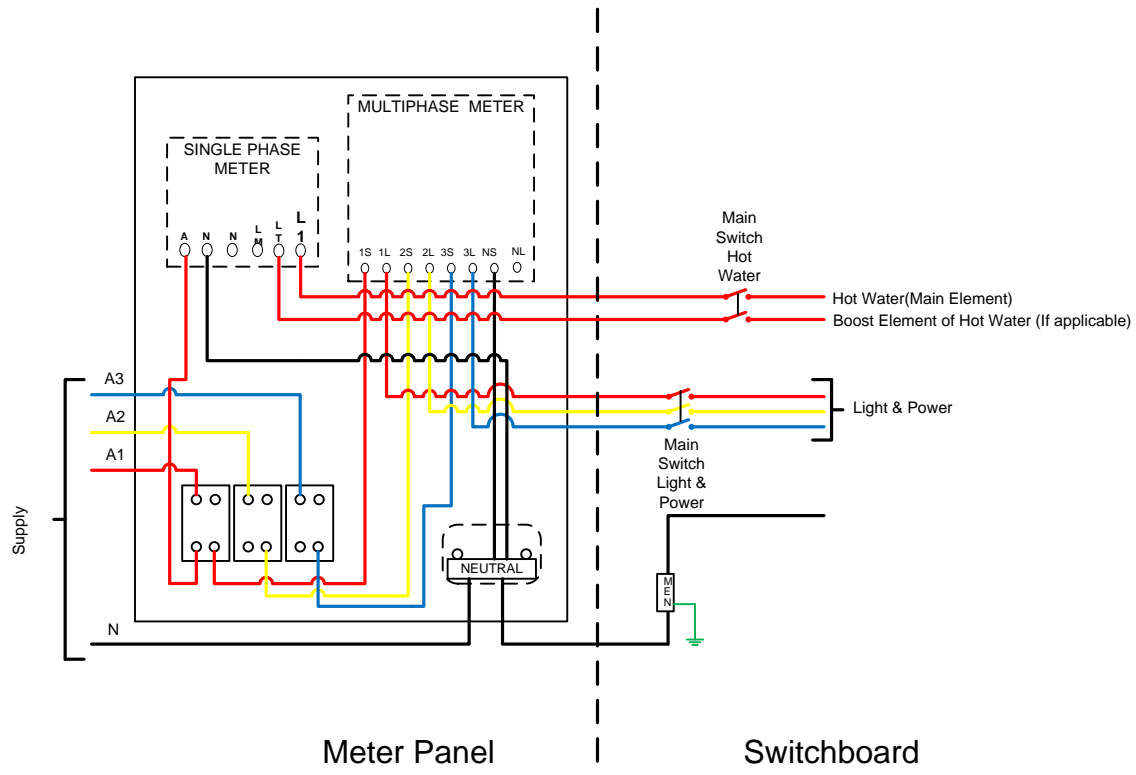
Notes:

- Refer to Victorian Service & Installation Rules (SIR's) for panel size.
- L1 – 30A Load Control (Hot Water).
- L2 – Maximum 2A Load Control (Storage Heating).
- 4mm² with 7 strands for conductors to control customer contactor.
- Terminals need to be bridged for single phase general supply applications with storage heating.
- Load carrying conductors not less than 4mm² or greater than 35mm².
- All metering neutrals to be black colour 4mm² or 6 mm² with minimum 7 stranded conductors.
- Not less than 18 strand for 25 & 35mm² conductors.
- Comply with Electrical Safety (Installations) Regulations 2009 and AS/NZS 3000.
- Customer needs to provide 2A circuit breaker as a Main Switch and their load control contactor within customer's switchboard.
- Meter panel fuse not required for an overhead supply.
- Off Peak controlled load only includes single phase hot water & single or multi-phase storage heating.
- Wiring diagram applicable for Solar.
- Metering diagram is applicable for 2 or 3 phase load. For 2 phase loads – Red and Blue phase is preferred.

Any queries please contact Jemena compliance officer on 1300 855 824

Jemena drawing: Document No - ELE SP 0001/Section 2.6

Multi-Phase With Dedicated Off Peak Hot Water (Not Applicable For Solar)



Notes:

- Refer to Victorian Service & Installation Rules (SIR's) for panel size.
- L1 – 30A Load Control (Hot Water).
- Load carrying conductors not less than 4mm² or greater than 35mm².
- All metering neutrals to be black colour 4mm² or 6 mm² with minimum 7 stranded conductors.
- Not less than 18 strand for 25 & 35mm² conductors.
- Comply with Electrical Safety (Installations) Regulations 2009 and AS/NZS 3000.
- Meter panel fuse not required for an overhead supply.
- Off Peak controlled load only includes single phase hot water.
- Metering diagram is applicable for 2 or 3 phase load. For 2 phase loads – Red and Blue phase is preferred.

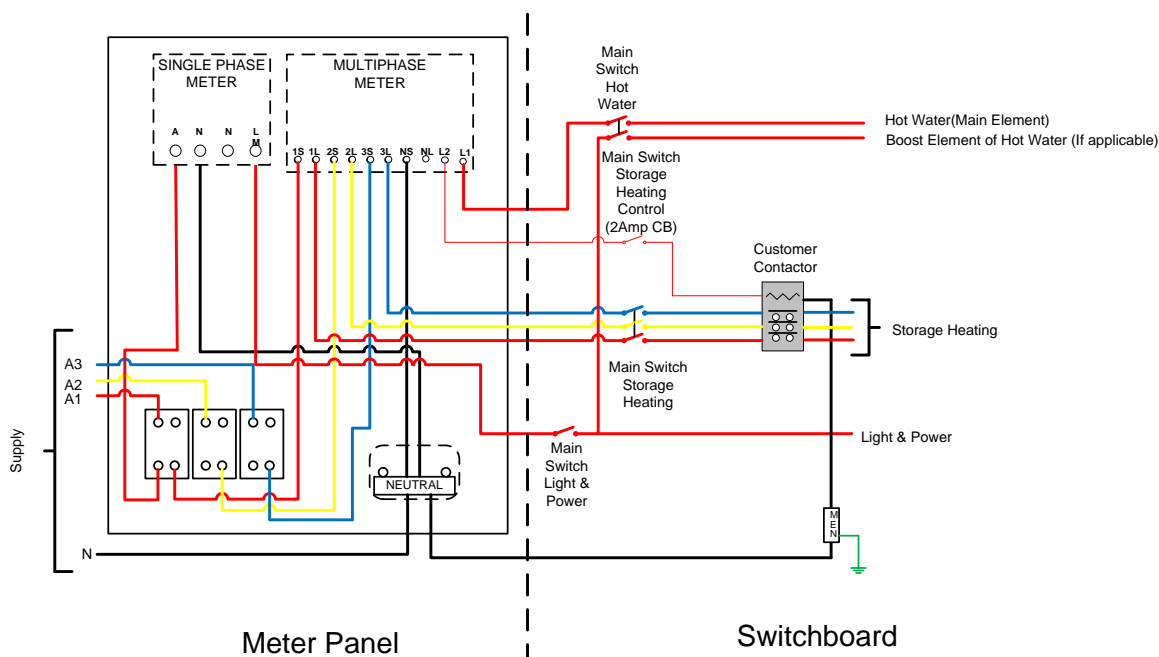
Existing Customer with dedicated off peak hot water:

Wiring diagram not applicable for Solar

Any queries please contact Jemena compliance officer on 1300 855 824

Jemena drawing: Document No - ELE SP 0001/Section 2.7

Single Phase with Multi-Phase Dedicated off Peak Storage Heating & Hot Water (Not applicable for solar)



Notes:

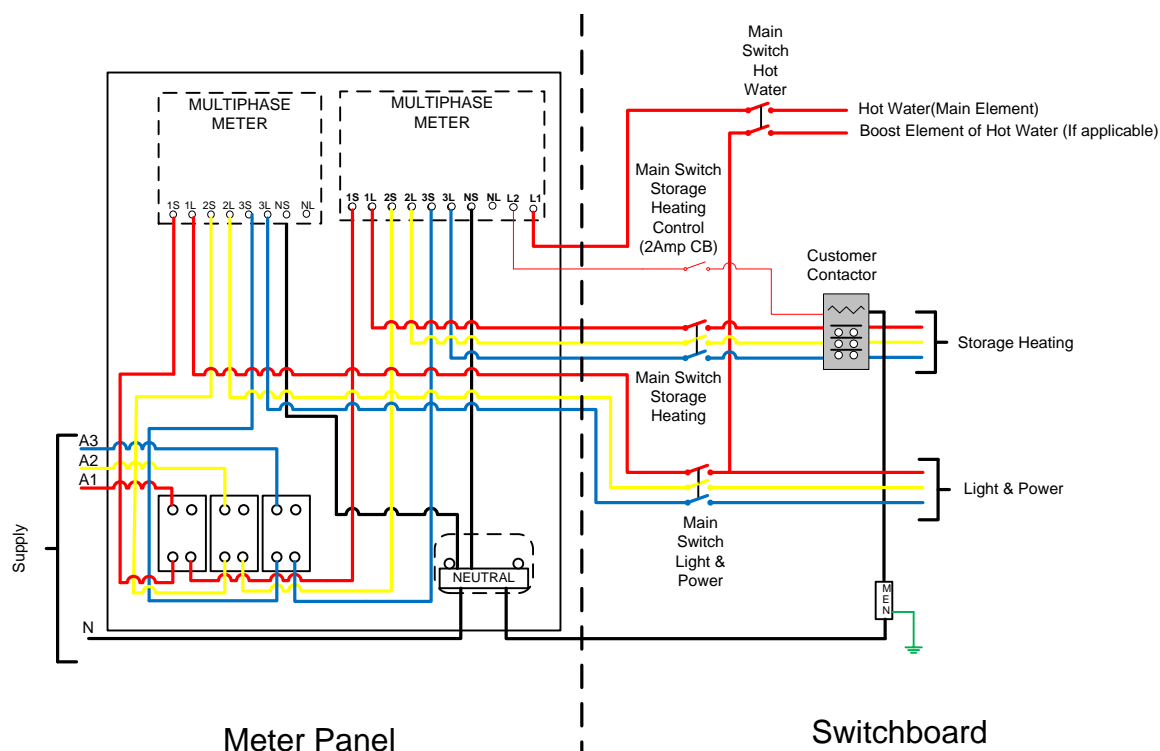
- Refer to Victorian Service & Installation Rules (SIR's) for panel size.
- L1 – 30A Load Control (Hot Water).
- L2 – Maximum 2A Load Control (Storage Heating).
- 4mm² with 7 strands for conductors to control customer contactor.
- Load carrying conductors not less than 4mm² or greater than 35mm²
- All metering neutrals to be black colour 4mm² or 6 mm² with minimum 7 stranded conductors.
- Not less than 18 strand for 25 & 35mm² conductors.
- Comply with Electrical Safety (Installations) Regulations 2009 and AS/NZS 3000
- Customer needs to provide 2A circuit breaker as a Main Switch and their load control contactor within customer's switchboard.
- Meter panel fuse not required for an overhead supply.
- Off Peak controlled load only includes single phase hot water & single or multi-phase storage heating.
- Metering diagram is applicable for single or multi phase controlled load. For 2 phase controlled loads – Red and Blue phase is preferred. For single phase controlled load terminals need to be bridged.

Existing Customer with dedicated off peak hot water: **Wiring diagram not applicable for Solar**

Any queries please contact Jemena compliance officer on 1300 855 824

Jemena drawing: Document No - ELE SP 0001/Section 2.8

Multi-Phase with Dedicated off Peak Storage Heating & Hot Water (**Not applicable for solar**)



Notes:

- Refer to Victorian Service & Installation Rules (SIR's) for panel size.
- L1 – 30A Load Control (Hot Water).
- L2 – Maximum 2A Load Control (Storage Heating).
- 4mm² with 7 strands for conductors to control customer contactor.
- Load carrying conductors not less than 4mm² or greater than 35mm²
- All metering neutrals to be black colour 4mm² or 6 mm² with minimum 7 stranded conductors.
- Not less than 18 strand for 25 & 35mm² conductors.
- Comply with Electrical Safety (Installations) Regulations 2009 and AS/NZS 3000.
- Customer needs to provide 2A circuit breaker as a Main Switch and their load control contactor within customer's switchboard.
- Meter panel fuse not required for an overhead supply.
- Off Peak controlled load only includes single phase hot water & single or multi-phase storage heating.
- Metering diagram is applicable for single or multi phase controlled load. For 2 phase controlled loads – Red and Blue phase is preferred. For single phase controlled load terminals need to be bridged.

Existing Customer with dedicated off peak hot water:

Wiring diagram not applicable for Solar

Any queries please contact Jemena compliance officer on 1300 855 824